

8

7

6

5

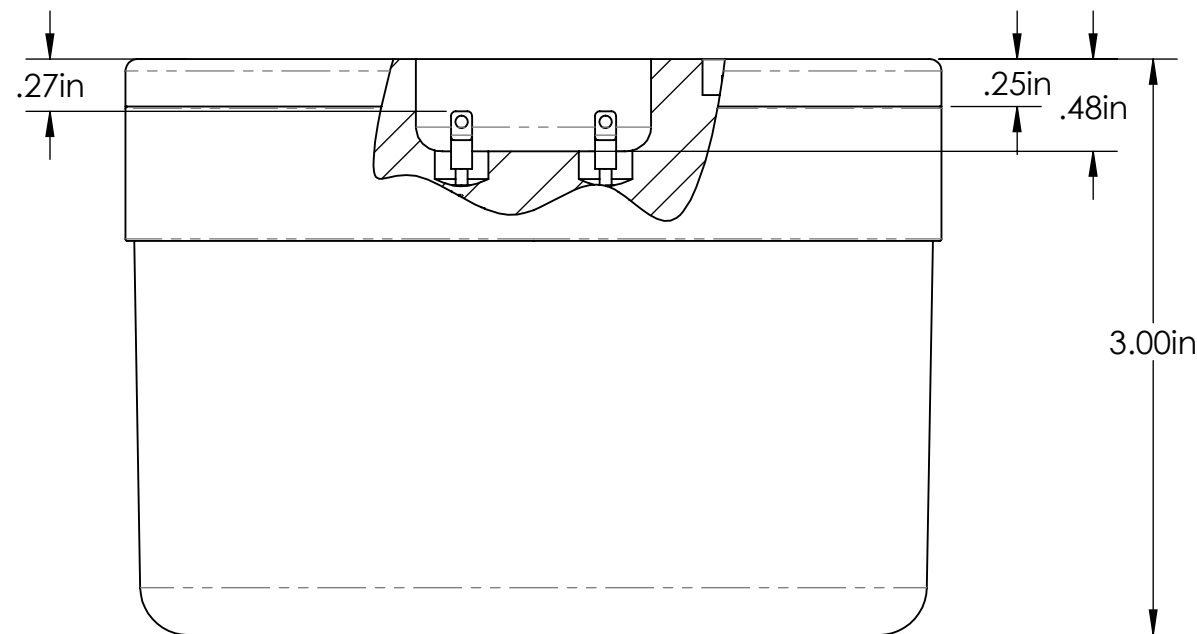
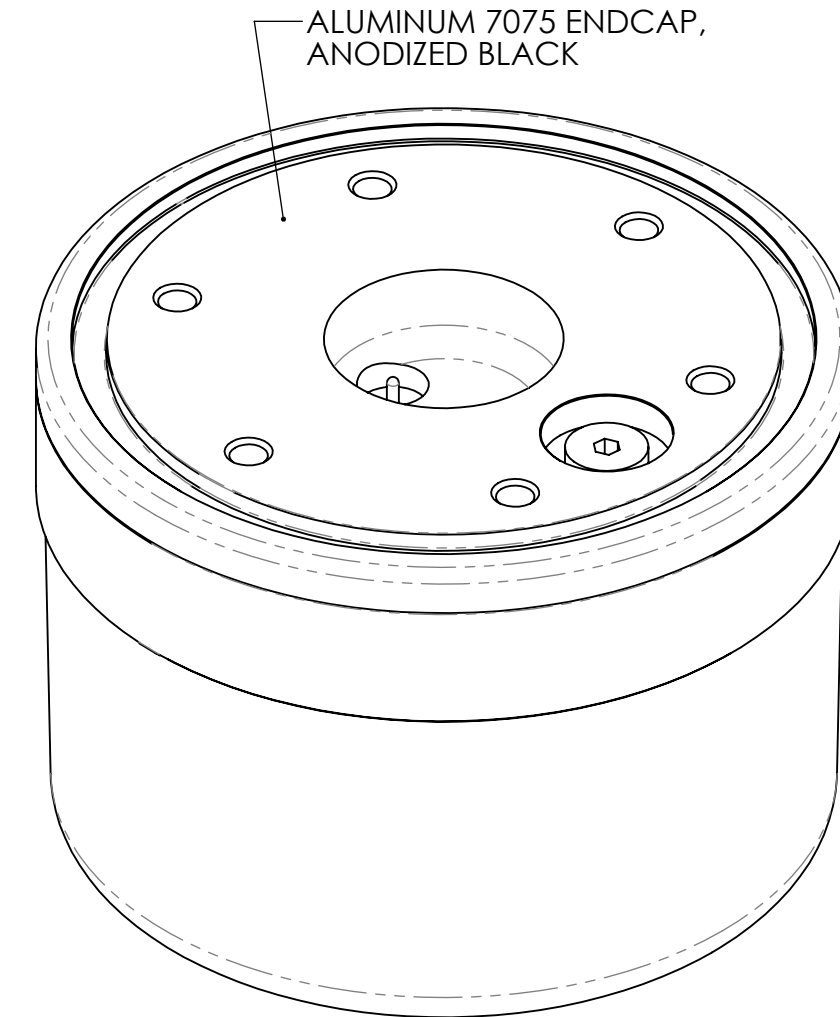
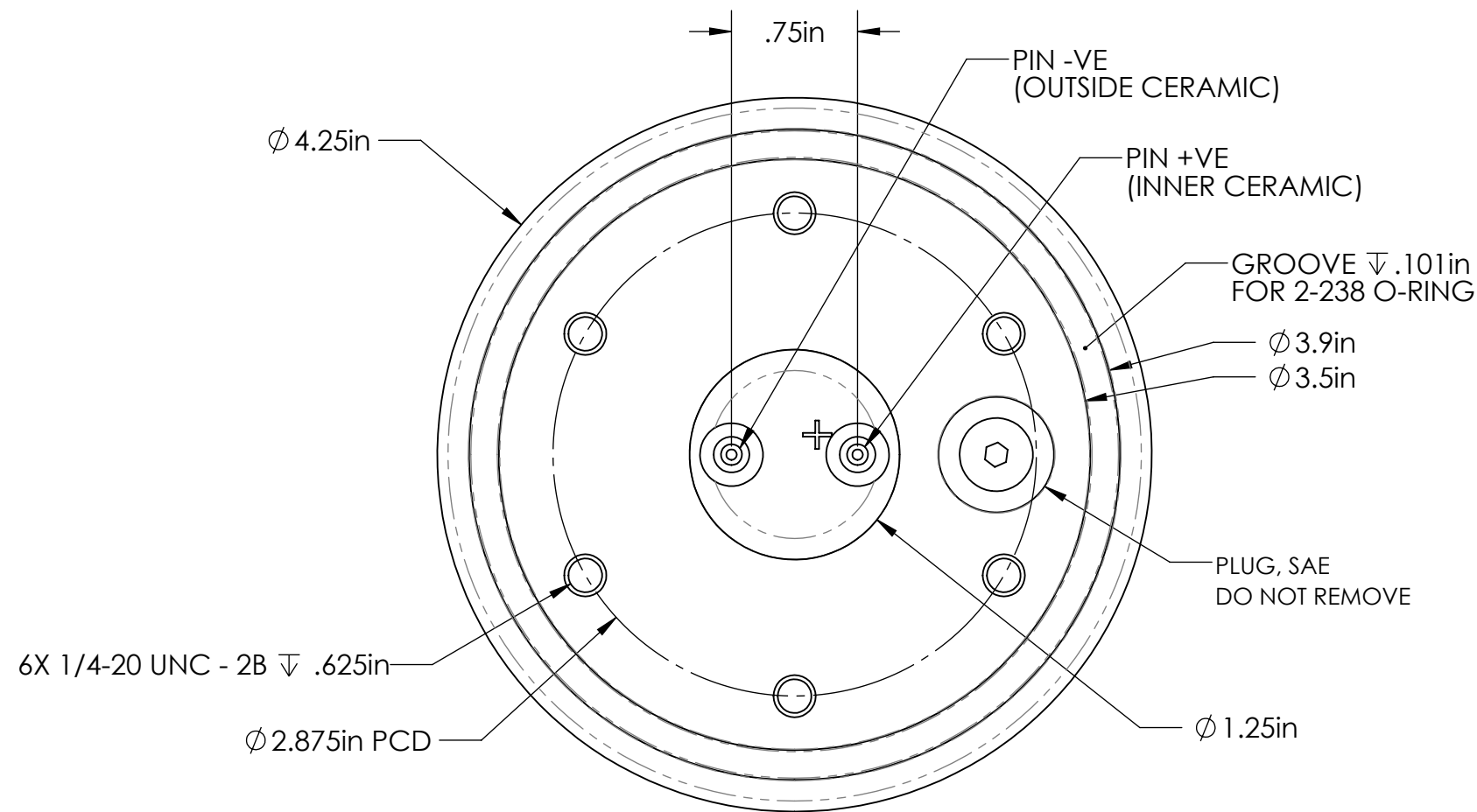
4

3

2

1

REVISION HISTORY			
REV	DWN	APPR	DATE



PROPRIETARY AND CONFIDENTIAL
 THE INFORMATION CONTAINED IN THIS DRAWING IS THE SOLE PROPERTY OF GEOSPECTRUM TECHNOLOGIES INC. ANY REPRODUCTION IN PART OR AS A WHOLE WITHOUT THE WRITTEN PERMISSION OF GEOSPECTRUM TECHNOLOGIES INC. IS PROHIBITED.



GeoSpectrum Technologies Inc.

10 Akerley Blvd., Unit 19
 Dartmouth, NS
 Canada B3B 1J4
 Tel: 1-902-406-4111
 Fax: 1-902-435-8987
 geospectrum.ca

DWN: IN	PRODUCT: M27-942	TITLE: TRANSDUCER, FFR, OILFILLED, HIGH POWER
APPR: CS	SIZE: B	SCALE: 1:1
THIRD ANGLE PROJECTION	SHEET: 1 OF 1	DWG. No.: 02-027-415
		DATE: 2022-JUL-26
		REV: 00

8

7

6

5

4

3

2

1