

8

7

6

5

4

3

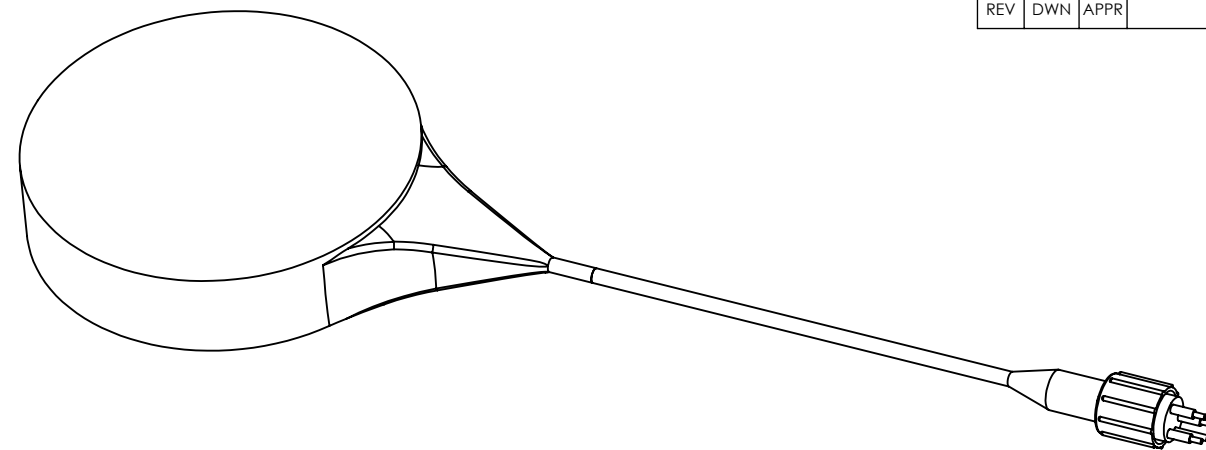
2

1

REVISION HISTORY				
REV	DWN	APPR	DESCRIPTION	DATE

NOTES:

- 1.0 APPROX.MASS: IN AIR 5 kg (11.0 lbs), IN WATER 3.4 kg (7.47 lbs).
- 2.0 DEPTH: 400 METERS
- 3.0 MAXIMUM DRIVE VOLTAGE: 600 Vrms
- 4.0 LIMIT DRIVE VOLTAGE TO 10 Vrms IN AIR.
- 5.0 CAVITATION DEPTH: 10 METERS AT 194 dB re 1 µPa.



Ø213mm

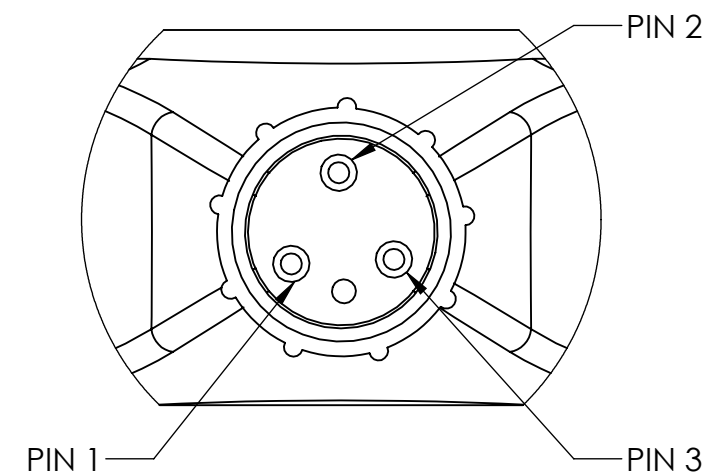
URETHANE BODY

CABLE, 18 AWG, 1 SHIELDED TWISTED PAIR, POLYURETHANE JACKET 8 MM DIA.

LOCKING SLEEVE, FEMALE SUBCONN #DLSA-F

CONNECTOR, 3 PIN MALE, SUBCONN #OM3M

1.25±.10 METER



DETAIL SEE DETAIL A

SEE CONNECTOR PINOUT TABLE SCALE 1 : 1

CONNECTOR PINOUT (SUBCONN OM3M)	
PIN	DESIGNATION
1	NEGATIVE
2	POSITIVE
3	SHIELD

50mm

SEE DETAIL A

DISCLAIMER / RESTRICTION ON DISCLOSURE
 THIS DOCUMENT CONTAINS INFORMATION PROPRIETARY TO GEOSPECTRUM TECHNOLOGIES INC. (GEOSPECTRUM). ANY DISCLOSURE OR USE OF THIS INFORMATION OR ANY REPRODUCTION OF THIS DOCUMENT OR ANY PART THEREOF, OTHER THAN FOR THE SPECIFIED PURPOSE, IS EXPRESSLY PROHIBITED EXCEPT AS GEOSPECTRUM MAY OTHERWISE AGREE TO IN WRITING.

DWN: L.T
 APPR: C.S
 THIRD ANGLE PROJECTION



GeoSpectrum Technologies Inc.

10 Akerley Blvd., Unit 19
 Dartmouth, NS
 Canada B3B 1J4
 Tel: 1-902-406-4111
 Fax: 1-902-435-8987
 geospectrum.ca

PRODUCT: M21-203-1400	TITLE: 203 MM DIA. BENDER ASSEMBLY, RADIAL
SIZE: B	SCALE: 1:4
SHEET: 1 OF 1	DWG. No.: 02-021-503
DATE: 2023 JAN 12	REV: 00

8

7

6

5

4

3

2

1