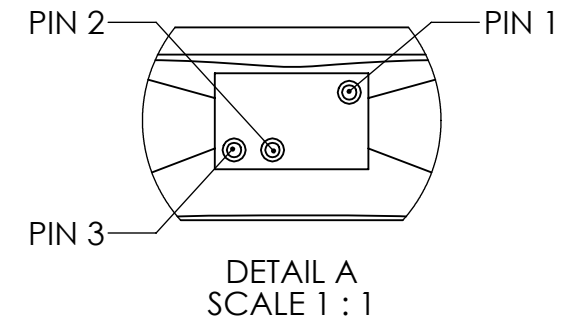
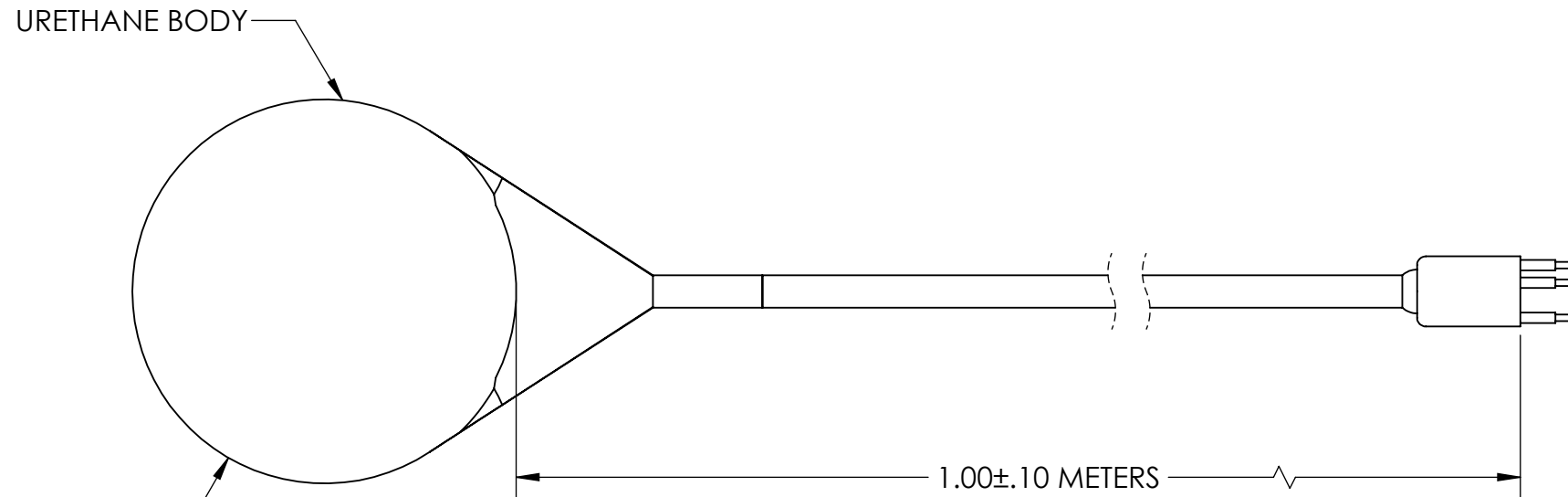
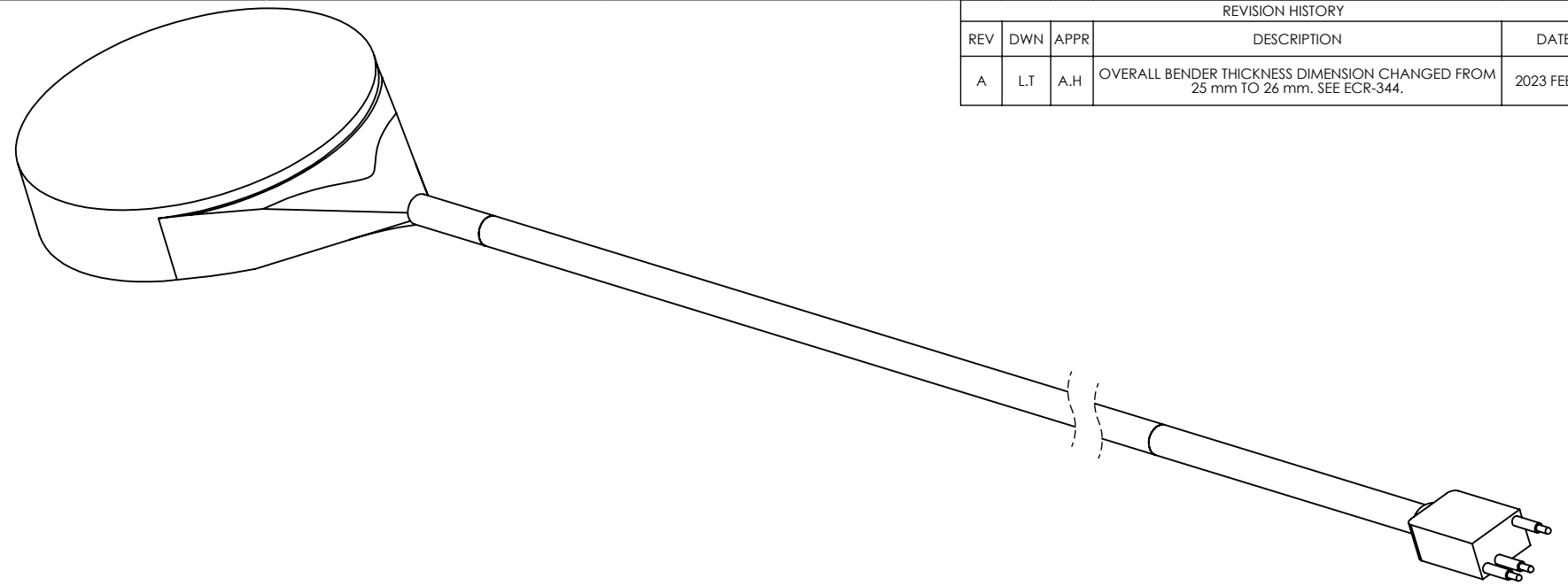


REVISION HISTORY

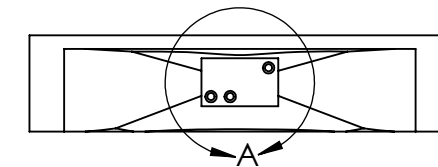
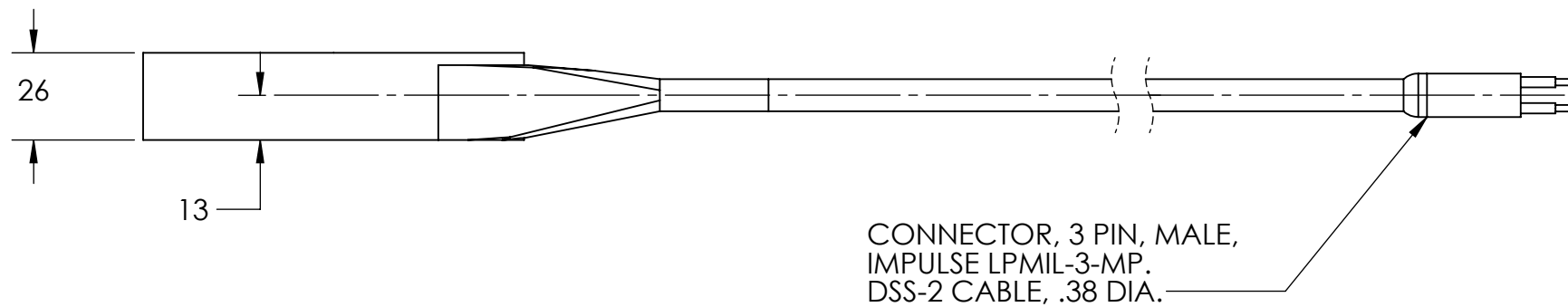
REV	DWN	APPR	DESCRIPTION	DATE
A	LT	A.H	OVERALL BENDER THICKNESS DIMENSION CHANGED FROM 25 mm TO 26 mm. SEE ECR-344.	2023 FEB 03

NOTES:

- 1.0 MASS: .6 Kg
- 2.0 DEPTH: 250 METERS
- 3.0 MAXIMUM DRIVE VOLTAGE: 600 Vrms
- 4.0 LIMIT DRIVE VOLTAGE TO 10 Vrms IN AIR.
- 5.0 CAVIATION DEPTH FOR 195 dB re uPA: 36 METERS



CONNECTOR PINNOUT DESIGNATIONS	
PIN	DESIGNATION
PIN 1	(-)VE
PIN 2	SHIELD
PIN 3	(+)VE



DISCLAIMER / RESTRICTION ON DISCLOSURE
THIS DOCUMENT CONTAINS INFORMATION PROPRIETARY TO GEOSPECTRUM TECHNOLOGIES INC. (GEOSPECTRUM). ANY DISCLOSURE OR USE OF THIS INFORMATION OR ANY REPRODUCTION OF THIS DOCUMENT OR ANY PART THEREOF, OTHER THAN FOR THE SPECIFIED PURPOSE, IS EXPRESSLY PROHIBITED EXCEPT AS GEOSPECTRUM MAY OTHERWISE AGREE TO IN WRITING.



GeoSpectrum Technologies Inc.

10 Akerley Blvd., Unit 19
Dartmouth, NS
Canada B3B 1J4

Tel: 1-902-406-4111
Fax: 1-902-435-8987
geospectrum.ca

DWN: LT	PRODUCT: M21-100-1800	TITLE: 100 MM DIA. BENDER ASSEMBLY, RADIAL
APPR: A.H	SIZE: B	SCALE: 1:2
THIRD ANGLE PROJECTION	SHEET: 1 OF 1	DWG. No.: 02-021-498
		DATE: 2022 NOV 25
		REV: A