

8

7

6

5

4

3

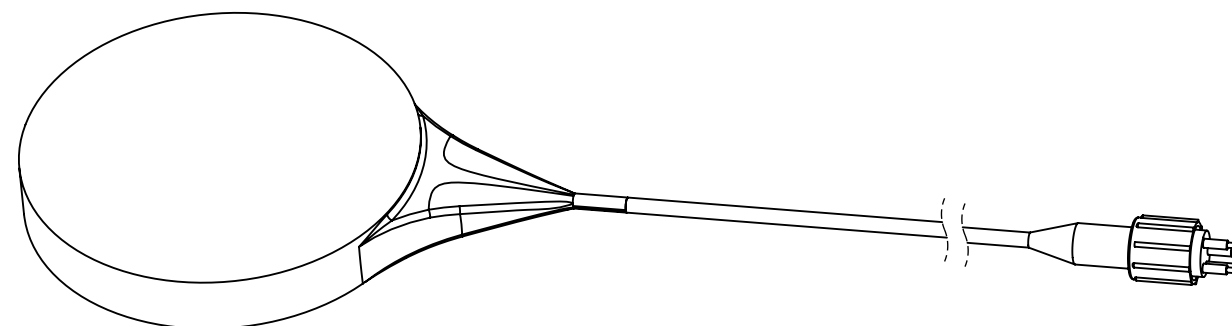
2

1

NOTES:

- 1.0 APPROX. MASS: IN AIR 5 Kg (11.0 lbs), IN WATER 3.4 Kg (7.47 lbs).
- 2.0 DEPTH: 400 METERS
- 3.0 MAXIMUM DRIVE VOLTAGE: 600 Vrms
- 4.0 LIMIT DRIVE VOLTAGE TO 10 Vrms IN AIR.
- 5.0 CAVIATION DEPTH AT MAXIMUM DRIVE VOLTAGE: 10 METERS

REVISION HISTORY			
REV	DWN	APPR	DATE



Ø213

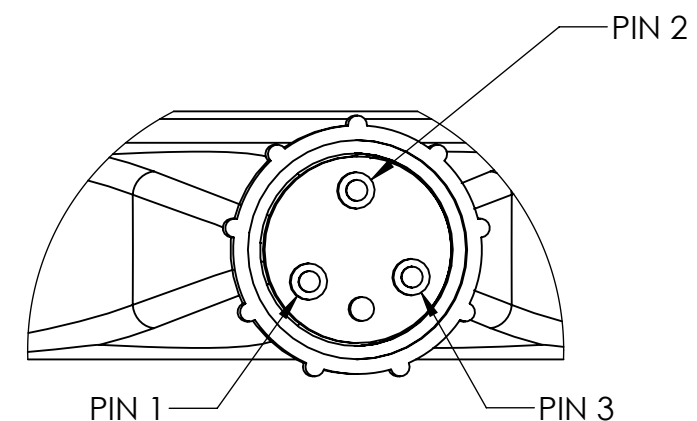
URETHANE BODY

CABLE, 18 AWG, 1 SHIELDED TWISTED PAIR, POLYURETHANE JACKET 8 MM DIA.

LOCKING SLEEVE, FEMALE SUBCONN #DLSA-F

CONNECTOR, 3 PIN MALE, SUBCONN #OM3M

0.5m±.05m



**DETAIL A**

SCALE 1 : 1

SEE CONNECTOR PINOUT TABLE

CONNECTOR PINOUT (SUBCONN OM3M)	
PIN	DESIGNATION
1	NEGATIVE
2	POSITIVE
3	SHIELD

33

SEE DETAIL A

**PROPRIETARY AND CONFIDENTIAL**  
 THE INFORMATION CONTAINED IN THIS DRAWING IS THE SOLE PROPERTY OF GEOSPECTRUM TECHNOLOGIES INC. ANY REPRODUCTION IN PART OR AS A WHOLE WITHOUT THE WRITTEN PERMISSION OF GEOSPECTRUM TECHNOLOGIES INC. IS PROHIBITED.



**GeoSpectrum Technologies Inc.**

10 Akerley Blvd., Unit 19  
Dartmouth, NS  
Canada B3B 1J4

Tel: 1-902-406-4111  
Fax: 1-902-435-8987  
geospectrum.ca

DWN: LT	PRODUCT: M21-203-660	TITLE: 203 MM DIA. BENDER GENERAL ASSEMBLY, RADIAL
APPR: AH	SIZE: B	SCALE: 1:4
THIRD ANGLE PROJECTION	SHEET: 1 OF 1	DWG. No.: 02-021-476
		DATE: 07 OCT 2021
		REV: 00

8

7

6

5

4

3

2

1