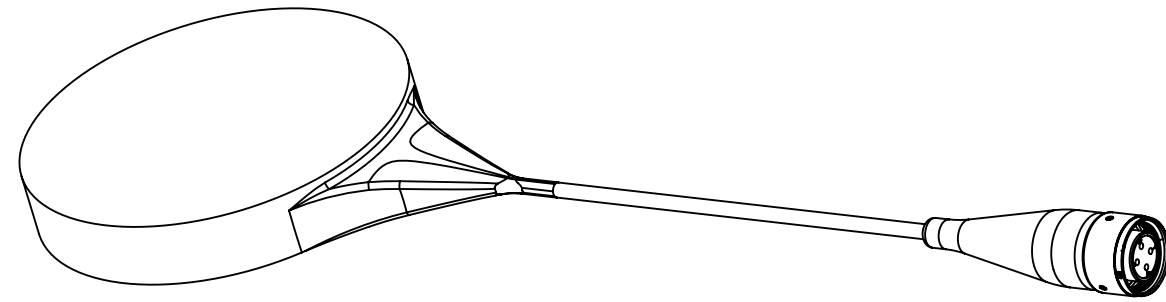


8 7 6 5 4 3 2 1

NOTES:

- 1.0 MASS: 3.6 Kg
- 2.0 DEPTH: 160 METERS
- 3.0 MAXIMUM DRIVE VOLTAGE: 1200 Vrms
- 4.0 LIMIT DRIVE VOLTAGE TO 5 Vrms IN AIR.
- 5.0 MINIMUM DEPTH FOR 200 dB re 1uPa @ 1 M: 50 METERS
- 6.0 AVOID STRAIN IN CABLE OVERMOLD, MINIMUM BEND RADIUS TO BE 3 INCHES.

REVISION HISTORY				
REV	DWN	APPR	DESCRIPTION	DATE
A	LJ	A H	CONNECTOR, 4 PIN PLUG, HIGH POWER, BIRNS #30-4HV-CP" WAS "CONNECTOR, 4 PIN RECEPT., HIGH POWER, BIRNS #30-4HV-BR";	04 JUN 19



D

D

C

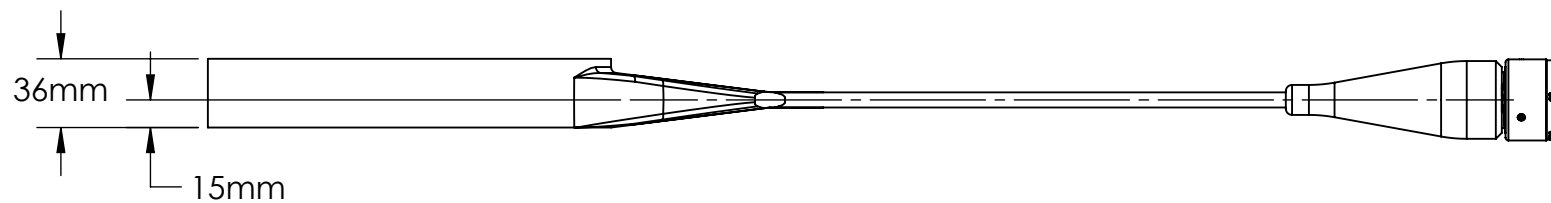
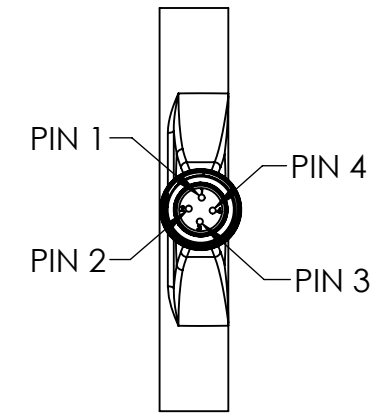
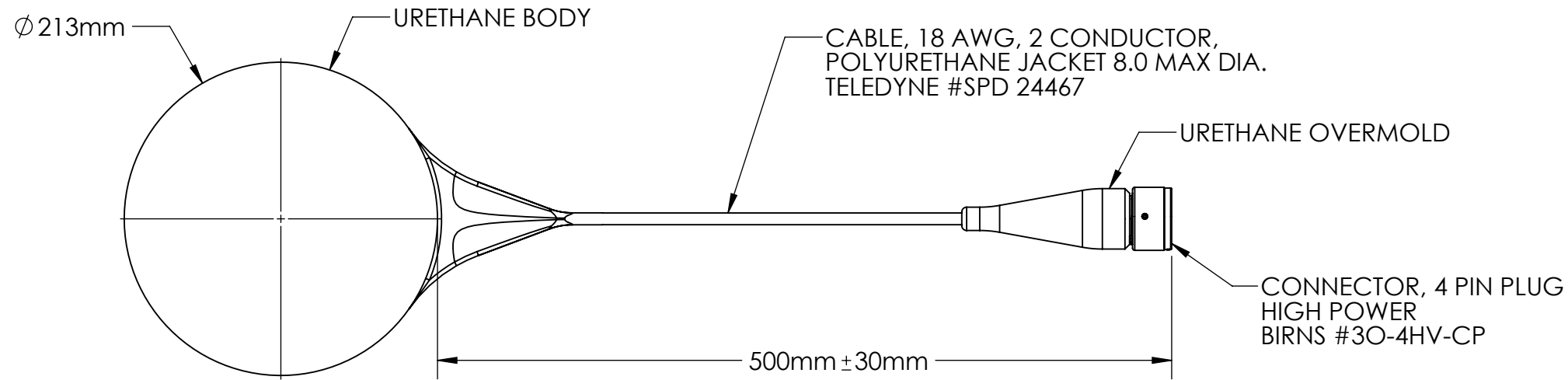
C

B

B

A

A

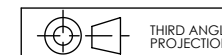


CONNECTOR PINOUT	
PIN	DESIGNATION
1	NEGATIVE
2	POSITIVE
3	SHIELD
4	N/C

DISCLAIMER / RESTRICTION ON DISCLOSURE
 THIS DOCUMENT CONTAINS INFORMATION PROPRIETARY TO GEOSPECTRUM TECHNOLOGIES INC. (GEOSPECTRUM). ANY DISCLOSURE OR USE OF THIS INFORMATION OR ANY REPRODUCTION OF THIS DOCUMENT OR ANY PART THEREOF, OTHER THAN FOR THE SPECIFIED PURPOSE, IS EXPRESSLY PROHIBITED EXCEPT AS GEOSPECTRUM MAY OTHERWISE AGREE TO IN WRITING.

GTI GeoSpectrum Technologies Inc.
 10 Akerley Blvd., Unit 19 Dartmouth, NS Canada B3B 1J4
 Tel: 1-902-406-4111 Fax: 1-902-435-8987 geospectrum.ca

PRODUCT: M21	TITLE: 203 MM DIA. BENDER GENERAL ASSEMBLY, RADIAL
SIZE: B	SCALE: 1:4
SHEET: 1 OF 1	DWG. No.: 02-021-328 DATE: 20 MAY 19 REV: A



8 7 6 5 4 3 2 1