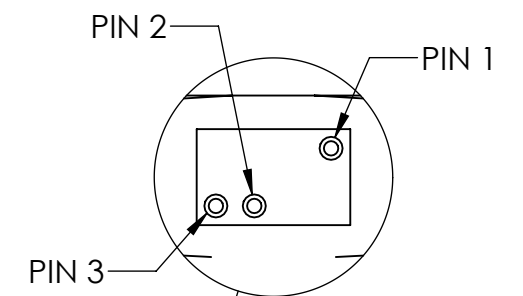
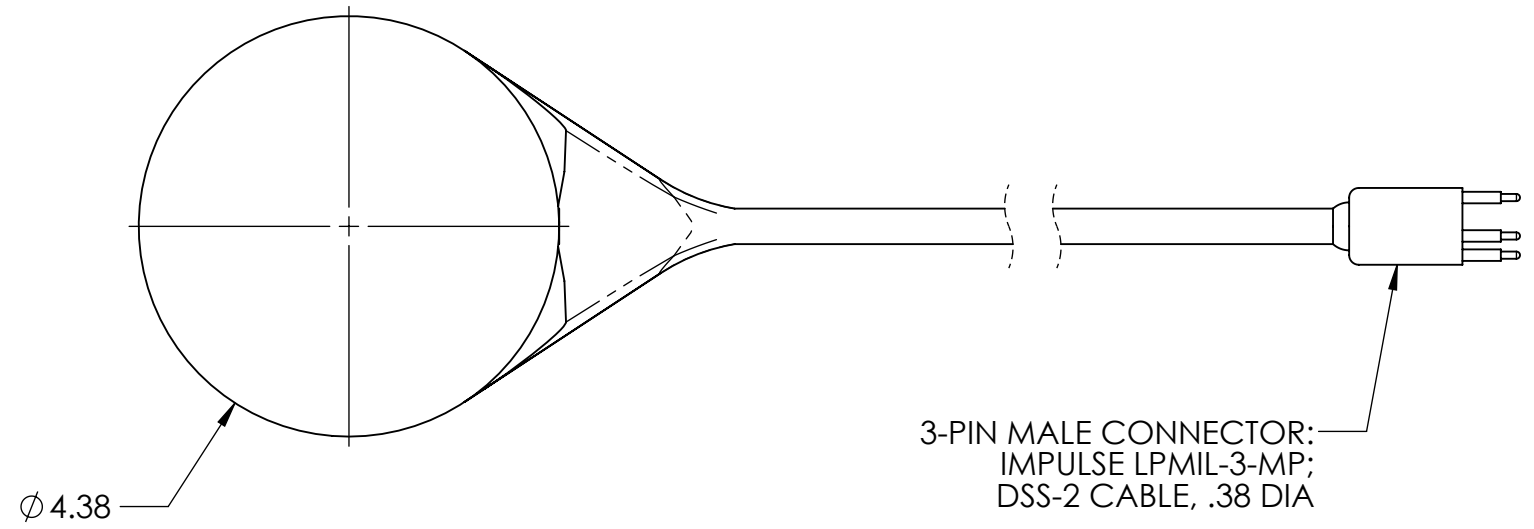
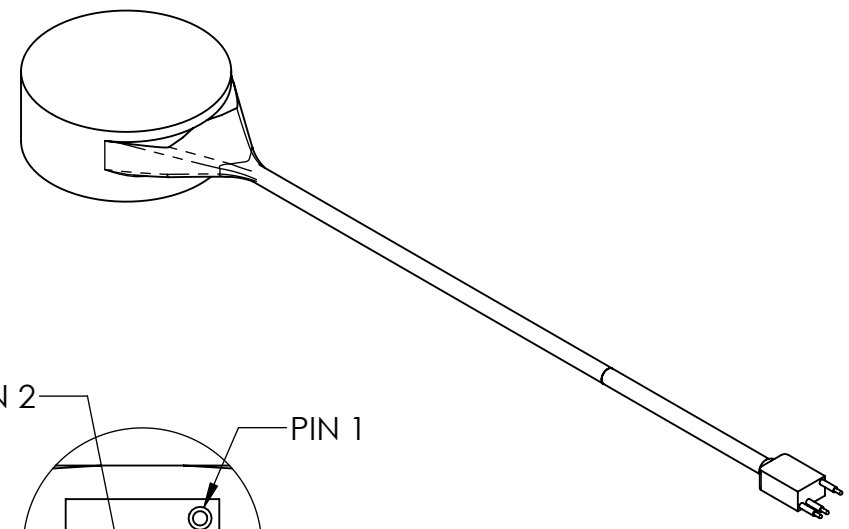


8 7 6 5 4 3 2 1

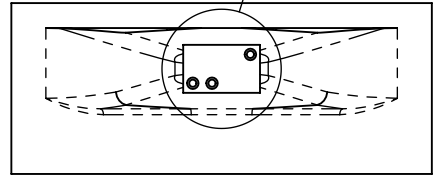
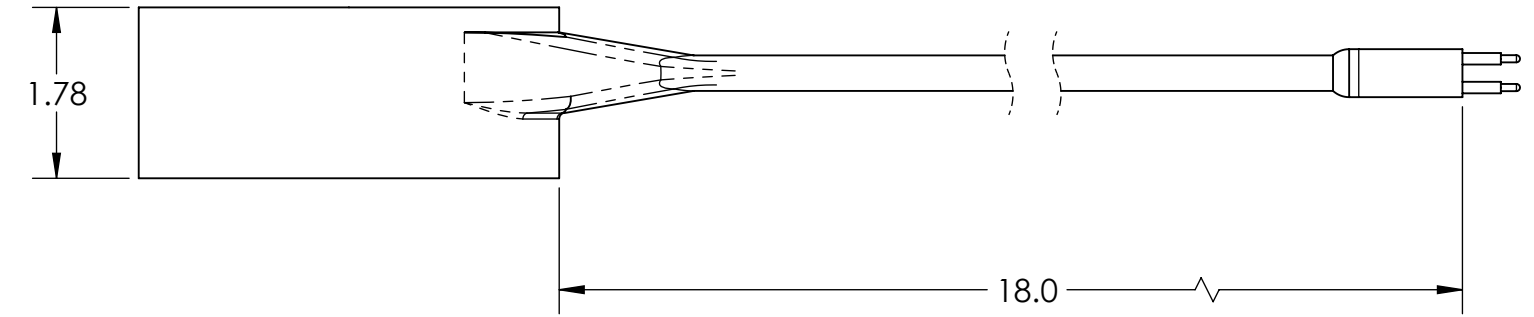
NOTES:

- 1.0 MASS: 1.1 kg
- 2.0 DEPTH: 1000 m
- 3.0 MAXIMUM DRIVE VOLTAGE: 600 Vrms
- 4.0 LIMIT DRIVE VOLTAGE TO 5 Vrms IN AIR AND AT LESS THAN 5 m DEPTH
- 5.0 CAVITATION DEPTH AT MAXIMUM DRIVE VOLTAGE: 20 m
- 6.0 DIMENSIONS ARE IN INCHES

CONNECTOR PINOUT (IMPULSE LPMIL-3-MP)	
PIN	DESIGNATION
1	NEGATIVE
2	SHIELD
3	POSITIVE



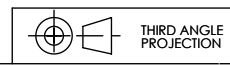
**DETAIL A**  
SCALE 1 : 1  
SEE CONNECTOR  
PINOUT TABLE



**PROPRIETARY AND CONFIDENTIAL**  
THE INFORMATION CONTAINED IN THIS DRAWING IS THE SOLE  
PROPERTY OF GEOSPECTRUM TECHNOLOGIES INC. ANY  
REPRODUCTION IN PART OR AS A WHOLE WITHOUT THE WRITTEN  
PERMISSION OF GEOSPECTRUM TECHNOLOGIES INC. IS PROHIBITED.

**GTI** **GeoSpectrum Technologies Inc.**  
10 Akerley Blvd., Unit 19 Tel: 1-902-406-4111  
Dartmouth, NS Fax: 1-902-435-8987  
Canada B3B 1J4 www.geospectrum.ca

PRODUCT:	<b>M21-017</b>	TITLE:	<b>M21-100-5160 BENDER ASSEMBLY, RADIAL</b>		
SIZE:	<b>B</b>	SCALE:	1:2	DWG. No.:	<b>02-021-222</b>
SHEET:	1 OF 1	DATE:	<b>19-APR-16</b>	REV:	<b>0</b>



8 7 6 5 4 3 2 1