



M72-300 SPECIFICATIONS

M72-300 C-Bass

OVERVIEW

The M72-300 is a member of the M72 “C-Bass” family of very low frequency electrodynamic sound projectors.

This source is capable of transmitting arbitrary waveforms, including single and combined tones, frequency modulated sweeps, communication signals and white or shaped noise. It omits an omni-directional response which can be used individually or in arrays to produce high-power sources with or without directivity.

This versatile source is suitable to be used for over-the-side trials, routine VLF calibrations, long-duration moorings, or integration into custom systems. It can be utilized as a beacon for navigation or timing, target emulation, VLF communication systems, VLF acoustic science, and more.



CHARACTERISTICS

PHYSICAL:

Maximum Operating Depth	80 m
Maximum Survival Depth w/o Pressure Compensation	280 m
Max Operating Depth with Standard Passive Compensation [10GAL]	500 m
Max Operating Depth with Standard Active Compensation	1000 m
Mass	9 Kg
Apparent Mass in Water	5.7 Kg
Storage Temperatures	-40°C to +70°C
Operating Temperatures	0°C to +35°C

ACOUSTIC:

Resonance Frequency @ 20m Depth	300 Hz
Maximum SPL @ 1 m	190 dB re 1 μPa
Transmitting Range	10Hz-4kHz
Directivity	Omni-Directional

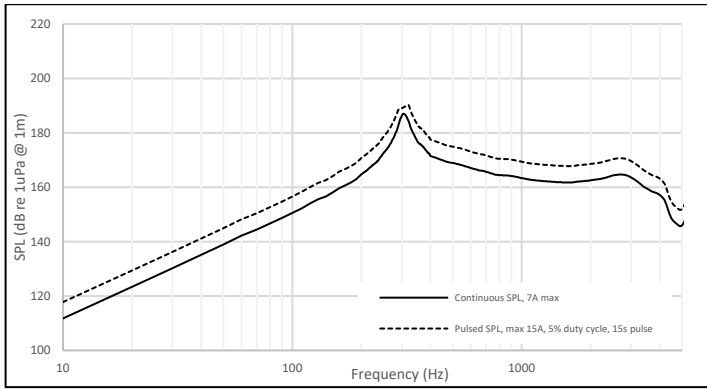


Figure 1: Sound Pressure Level Limits Plot for M72-300

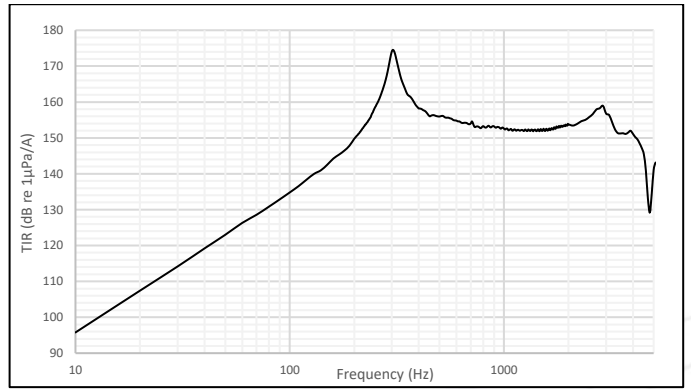


Figure 2: Transmit Current Response for M72-300

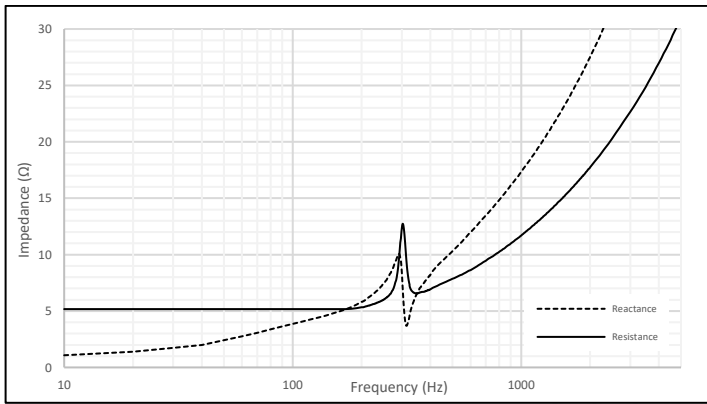


Figure 3: Impedance Plot for M72-300

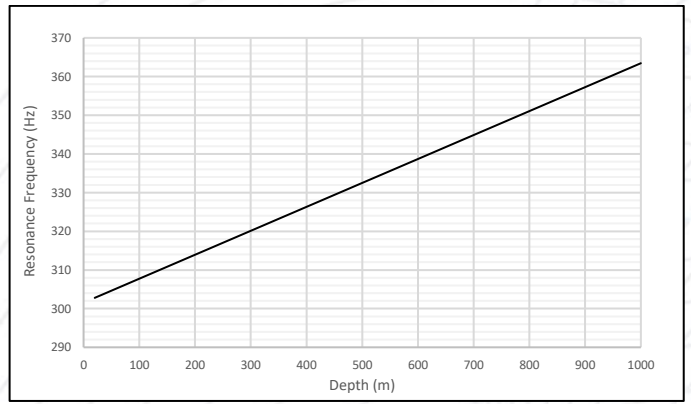


Figure 4: Predicted Resonance Frequency vs Depth

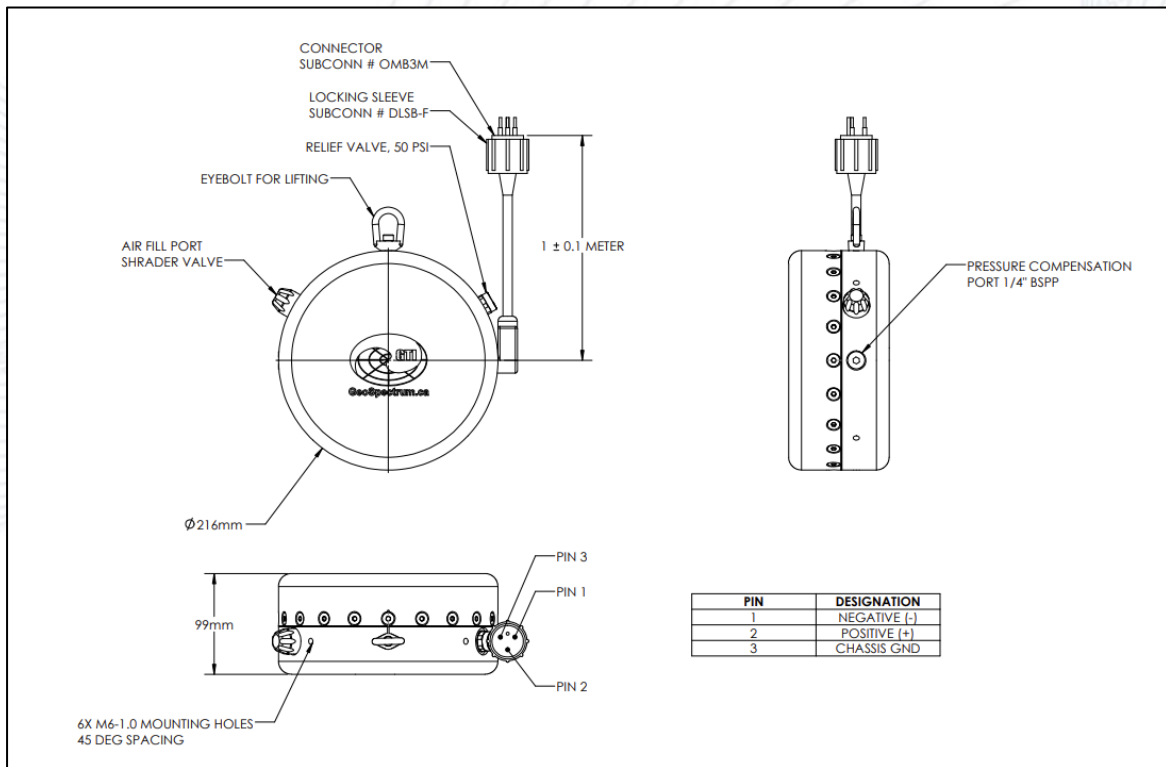


Figure 5: Dimensions of the M72-300 with labeled pin out