



M35-300 SPECIFICATIONS

M35-300 Hydrophone

OVERVIEW

The M35-300 is a directional hydrophone designed to measure 2-D acoustic pressure in a broad range of environments.

It includes:

- Two Orthogonal Compass Orientation Dipole Acoustic Sensors, Resolved in their North and East Components.
- Omnidirectional Acoustic Pressure Sensor.

Gain is factory set to optimise to the user's requirements. Additional support on mounting, deployment, and operation can also be provided.



CHARACTERISTICS

PHYSICAL/ENVIRONMENTAL:

Maximum Operating Depth	1000 Meters
Diameter	127 mm
Length	157 mm
Storage Temperatures	-40°C to +70°C
Operating Temperatures	0°C to +35°C
Connector Type	Subconn MCBH8M
Fluid Compatibility	Water

ACOUSTIC/ELECTRICAL:

Operational Range	100 Hz-15 kHz
Pre-Amp Gain	36 dB [selectable on order]
Band Pass	5Hz HPF and 20kHz LPF installed [selectable on order]
Power Draw	<300 mW [at 5 VDC]
Input Voltage	5-15 VDC Operating Range
Acoustic Output Type	Differential Voltage

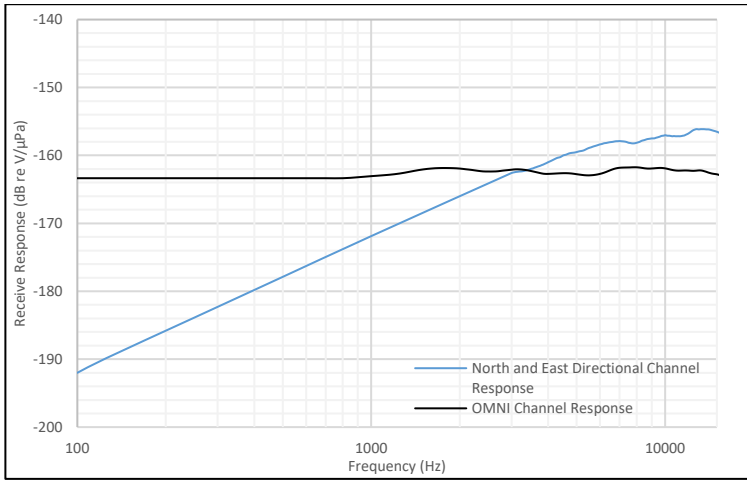


Figure 1: Receive Sensitivity Response for M35-300 (With Standard Pre-Amp)

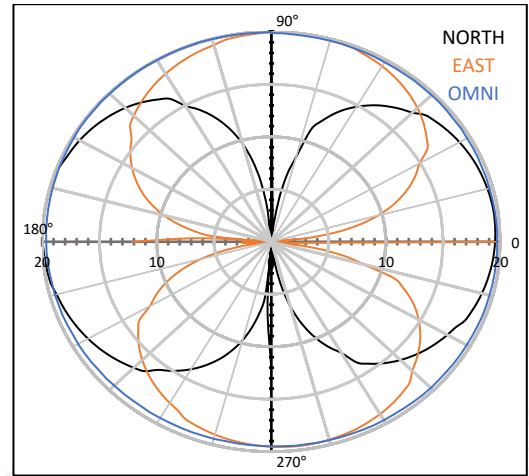


Figure 2: Typical Horizontal Beam Pattern for the M35-300 @6kHz

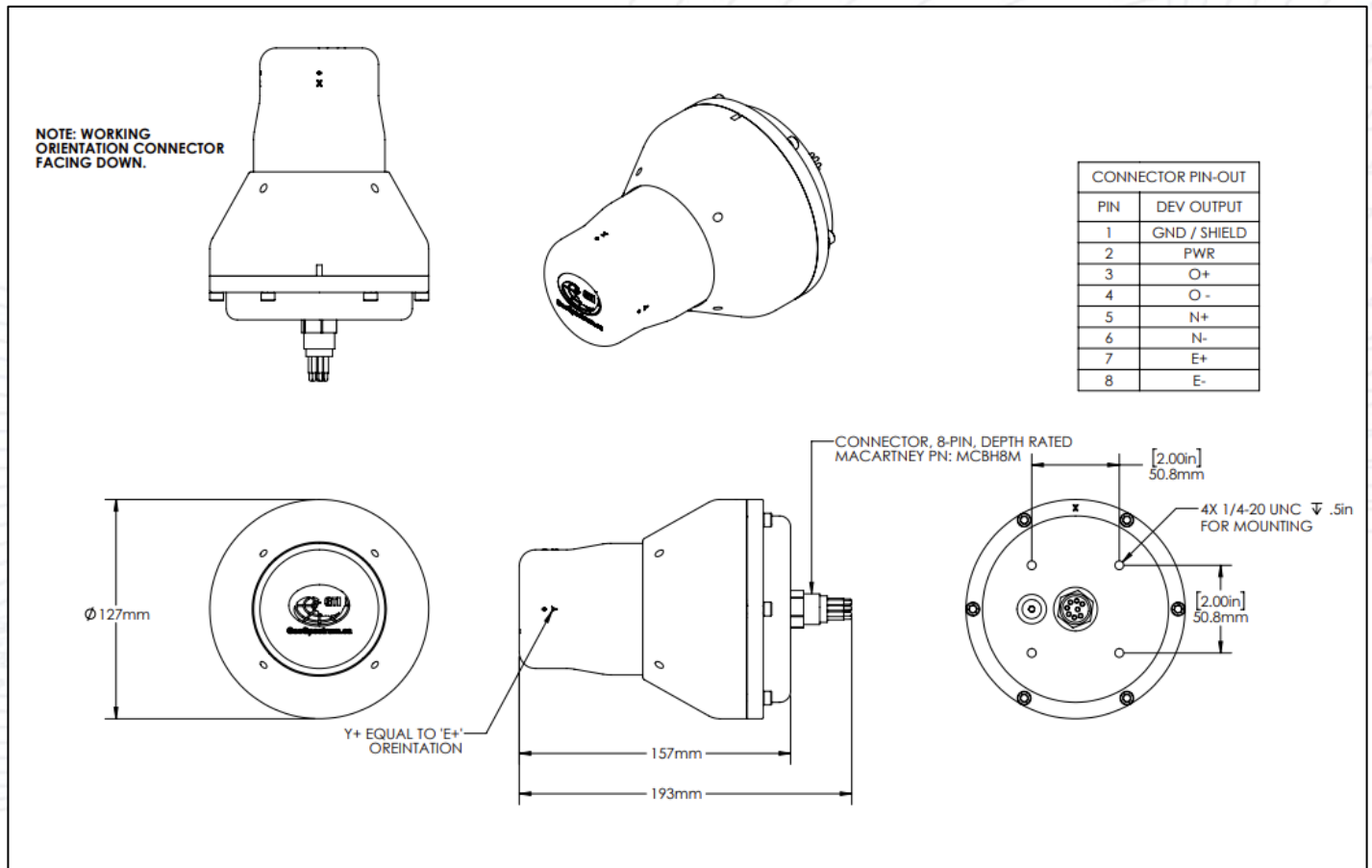


Figure 3: Dimensions of the M35-300 Hydrophone with labeled pin out