



M27-944 SPECIFICATIONS

M27-944 COMMS Transducer

OVERVIEW

The M27-944 is a is a transducer ideal for use as a beacon, transponder, or in other communication systems. The performance of the M27-944 is similar to the ITC 3013. These transducers are mountable, directional, and good from mid to high frequencies. Alternate connector and end-cap material options are available on request.



CHARACTERISTICS

PHYSICAL:

Maximum Operating Depth	6000 Meters*
Weight in Air	1.4 Kg
Storage Temperatures	-40°C to +70°C
Operating Temperatures	0°C to +35°C
Connector	Subconn BH3M-TI
End-Cap Style	Titanium, O-ring seal mount, waterproof connector [Anodized Aluminum available, 1500m depth rating, mounted]

ACOUSTIC:

Frequency Band	8-16 kHz
TVR in Band	>130 dB re 1 μPa/V @ 1 m
Maximum Drive Voltage	600 Vrms
Maximum SPL	192 dB re 1 μPa @ 1 m
Beam Pattern	Hemispherical
Capacitance	14 nF
Cavitation Depth at 192 dB re μPa @ 1 m	35 Meters

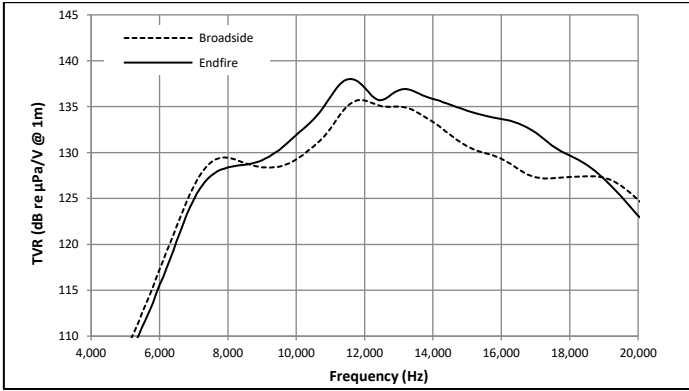


Figure 1: Transmit Voltage Response for M27-944

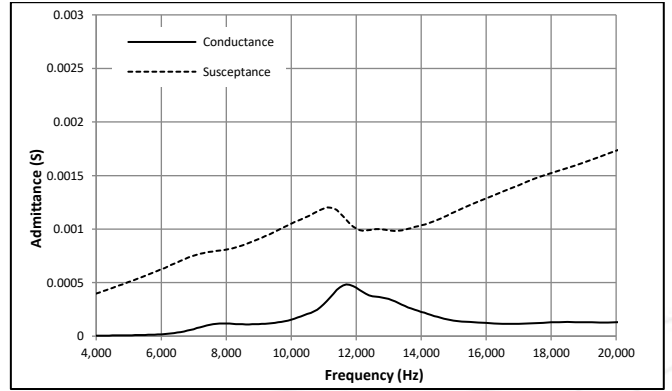


Figure 2: Admittance Plot for M27-944

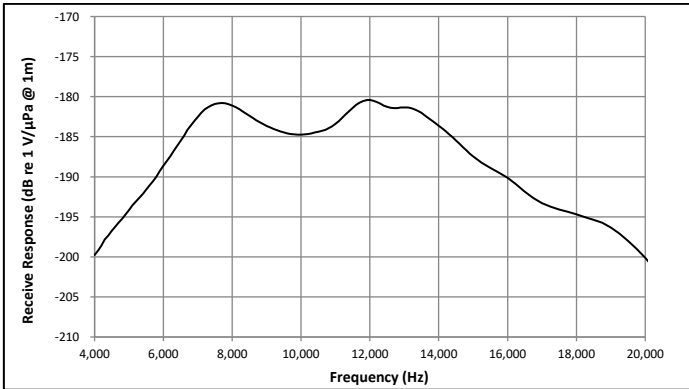


Figure 3: Receive Response for M27-944

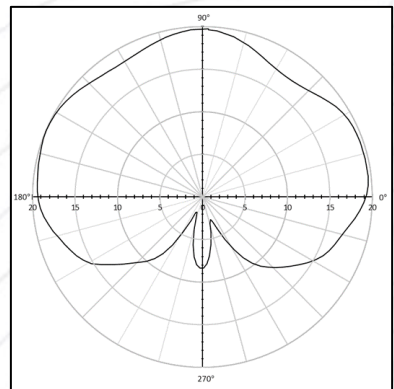


Figure 4: Beam Pattern for M27-944 at 12kHz

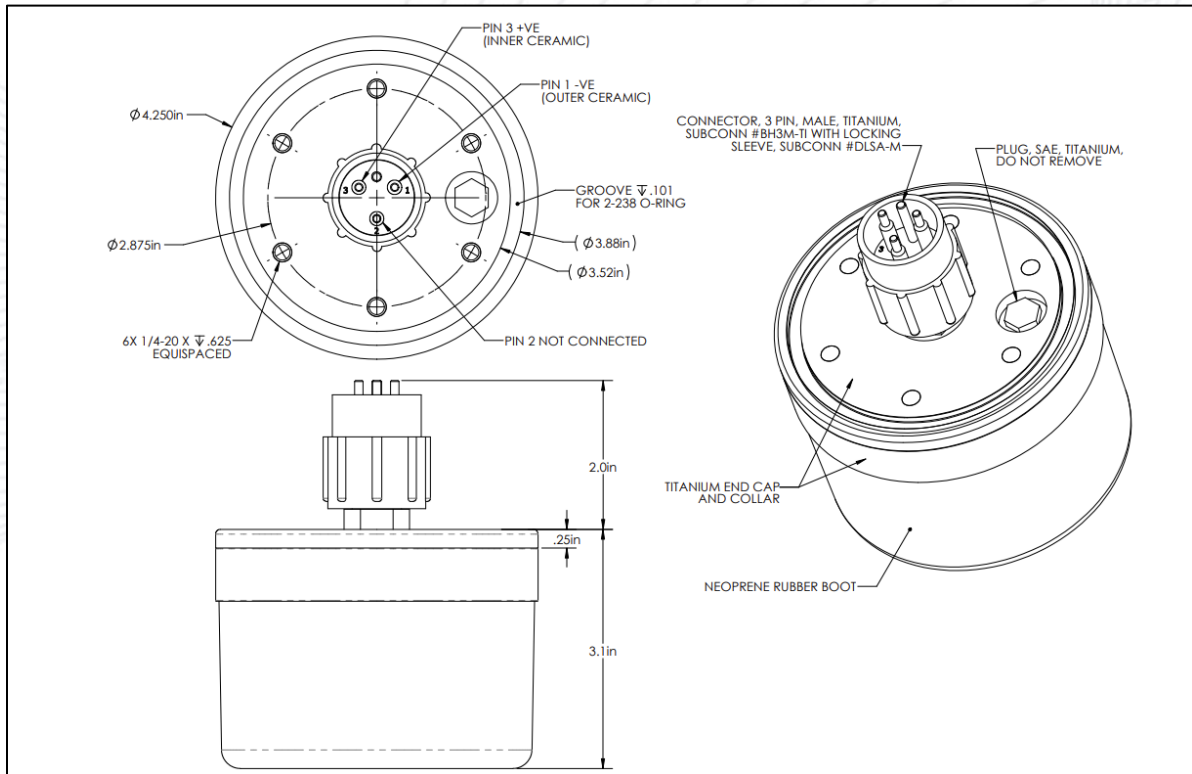


Figure 5: Dimensions of the M27-944 with labeled pin out