



M27-934 SPECIFICATIONS

M27-934 COMMS Transducer

OVERVIEW

The M27-934 is a transducer ideal for use as a beacon, transponder, or in other communication systems. The performance and mounting interface of the M27-934 is similar to the ITC 3013 but the frequency response has been optimized for the WHOI micro modem. These transducers are mountable, directional and operate from mid to high frequencies.



CHARACTERISTICS

PHYSICAL:

Maximum Operating Depth	6000 Meters (1500 m with air-backed endcap)
Weight in Air	1.5 Kg
Storage Temperatures	-40°C to +70°C
Operating Temperatures	0°C to +35°C
Connector	Subconn BH3M
End-Cap Style	Anodized Aluminum, O-ring face-seal mount, waterproof connector (Titanium available, 6000m depth rating)

ACOUSTIC:

Frequency Band	7-17 kHz
TVR in Band	>130 dB re 1 μ Pa/V @ 1 m
Maximum Drive Voltage	600 Vrms
Maximum SPL	192 dB re 1 μ Pa @ 1 m
Beam Pattern	Hemispherical
Capacitance	20 nF
Cavitation Depth at 192 dB re μ Pa @ 1 m	35 Meters

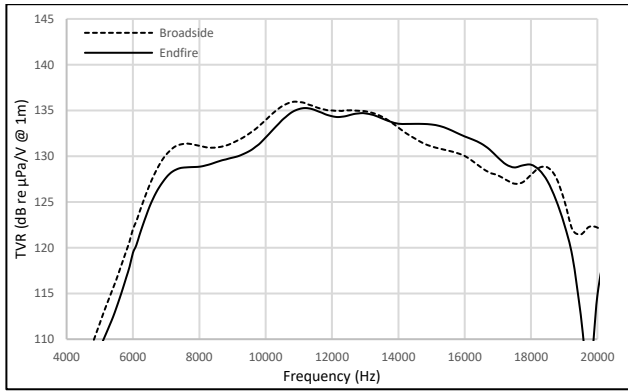


Figure 1: Transmit Voltage Response for M27-934

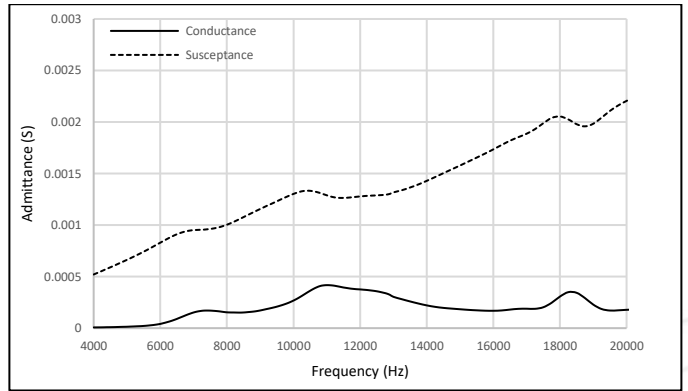


Figure 2: Admittance Plot for M27-934

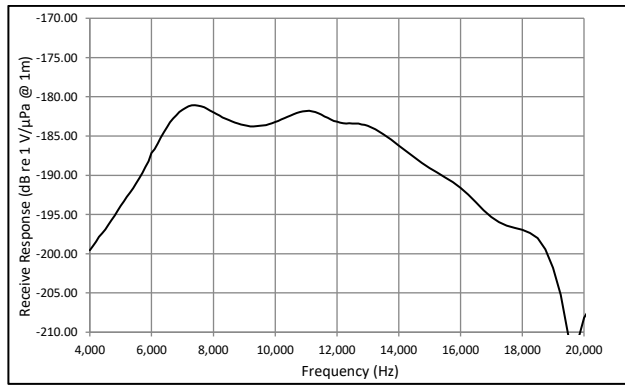


Figure 3: Receive Response for M27-934

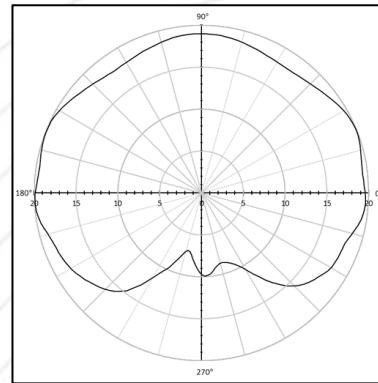


Figure 4: Beam Pattern for M27-934 at 11kHz

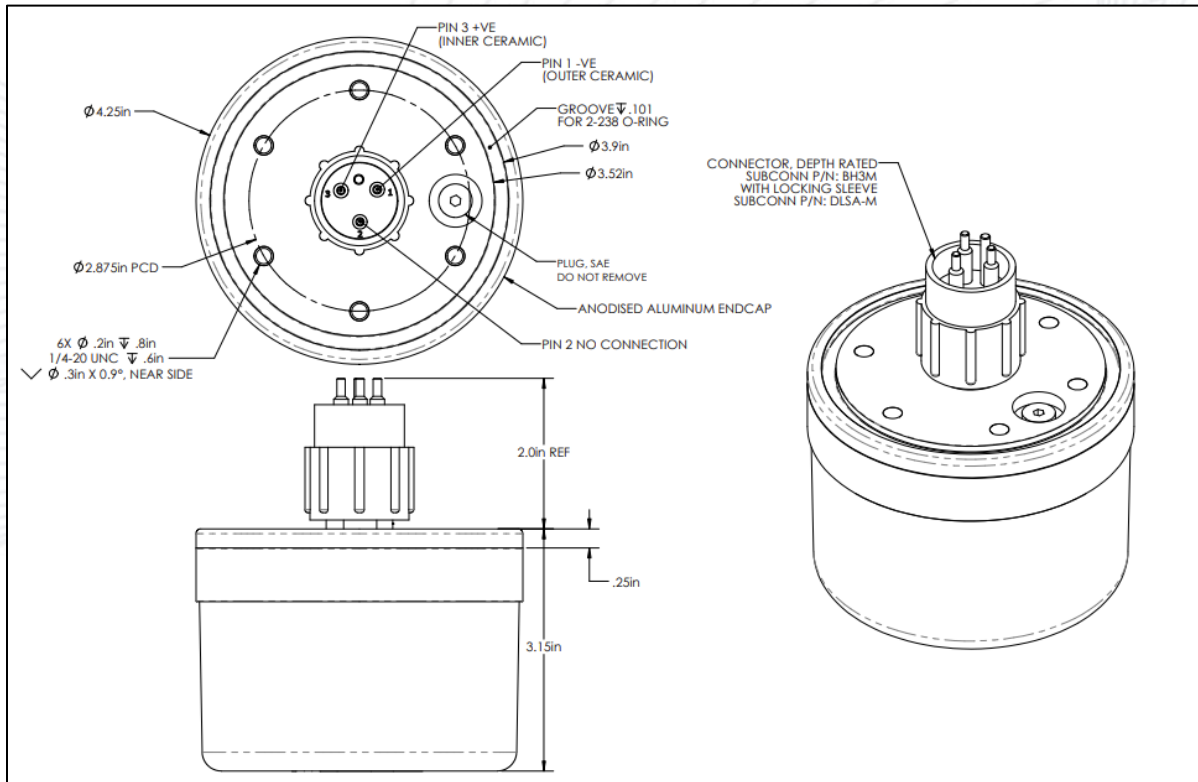


Figure 5: Dimensions of the M27-934 with labeled pin out