



M27-930 SPECIFICATIONS

M27-930 COMMS Transducer

OVERVIEW

The M27-930 is a transducer ideal for use as a beacon, transponder, or in other communication systems. The performance and mounting interface of the M27-930 is similar to the ITC 3013 but the frequency response has been optimized for the WHOI micro modem. These transducers are mountable, directional and operate from mid to high frequencies.



CHARACTERISTICS

PHYSICAL:

Maximum Operating Depth	6000 Meters
Weight in Air	1.7 Kg
Storage Temperatures	-40°C to +70°C
Operating Temperatures	0°C to +35°C
Connector	LPMBH-3-MP
End-Cap Style	Low-profile mounting, 4 isolated mounting holes

ACOUSTIC:

Frequency Band	7-17 kHz
TVR in Band	>130 dB re 1 μ Pa/V @ 1 m
Maximum Drive Voltage	600 Vrms
Maximum SPL	196 dB re 1 μ Pa @ 1 m
Beam Pattern	Hemispherical
Capacitance	20 nF
Cavitation Depth at 196 dB re μ Pa @ 1 m	35 Meters

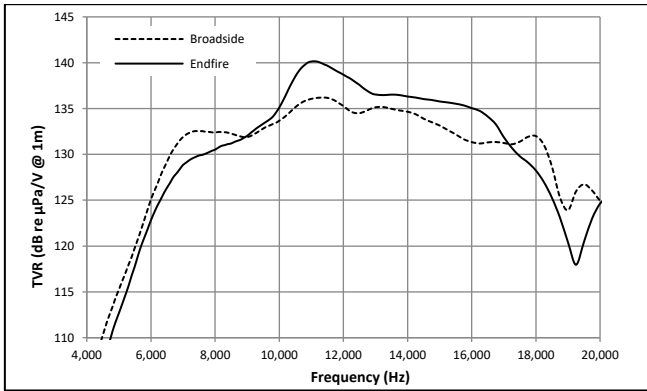


Figure 1: Transmit Voltage Response for M27-930

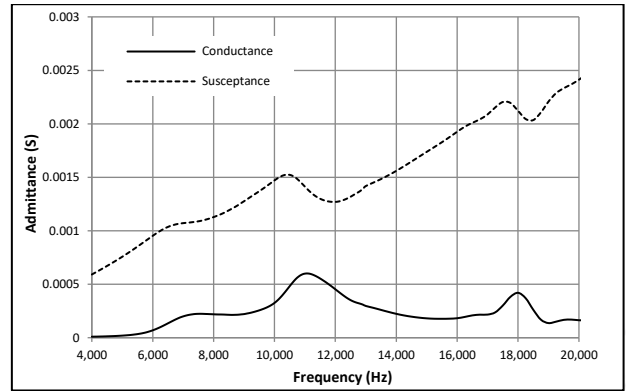


Figure 2: Admittance Plot for M27-930

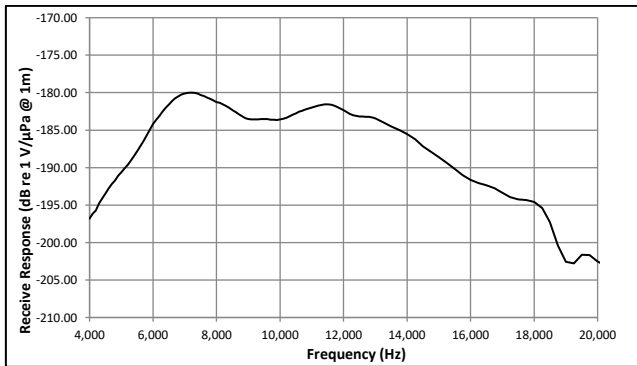


Figure 3: Receive Response for M27-930

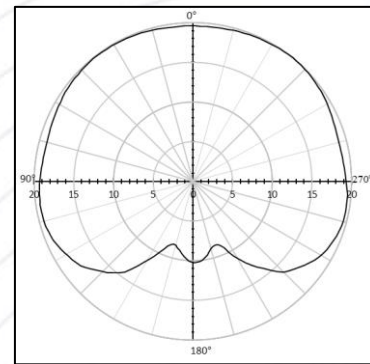


Figure 4: Beam Pattern for M27-930 at 9kHz

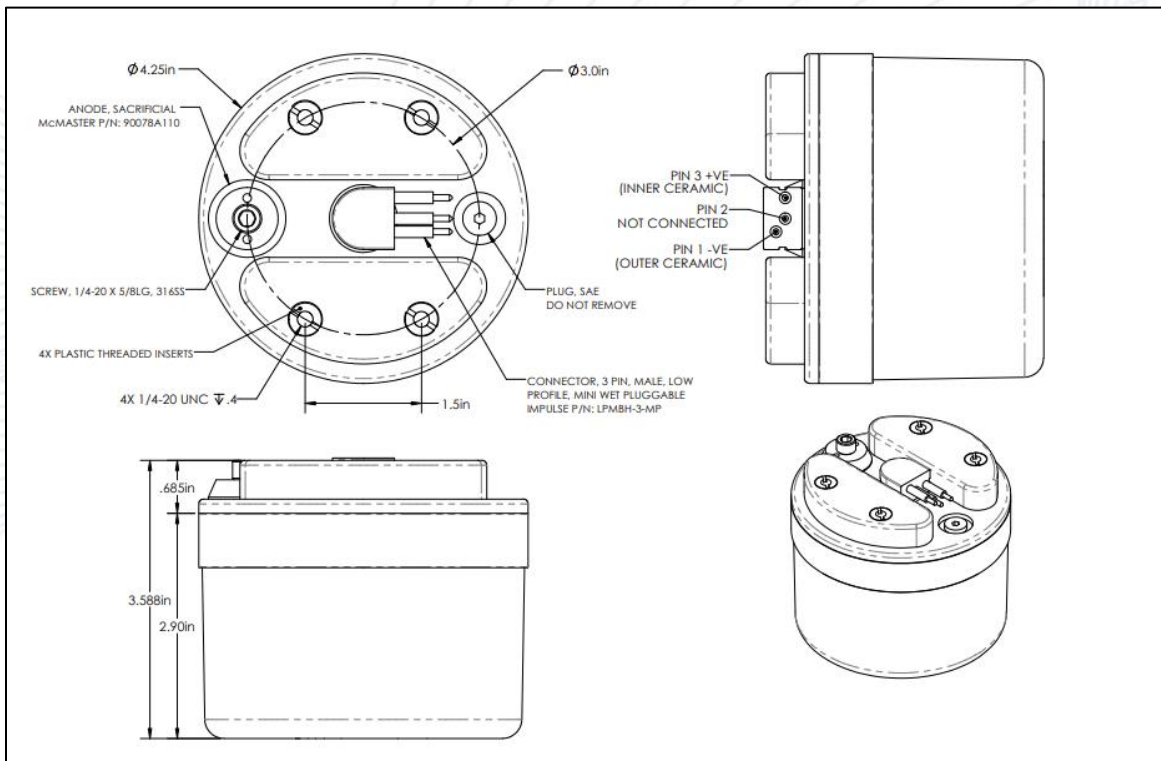


Figure 5: Dimensions of the M27-930 with labeled pin out