



M21-203-900 SPECIFICATIONS

M21-203-900 Bender

OVERVIEW

The M21-203-900 is a flexural disc projector belonging to the M21 bender family.

Like all of M21 products, it is omnidirectional, and can produce moderate power over a wide frequency band, or produce high power near resonance. M21s can also be used in a stack to produce greater power and bandwidth at lower frequencies, or in conventional arrays to produce a directive, high-power source.



CHARACTERISTICS

PHYSICAL:

Maximum Operating Depth	190 m
Mass	4 Kg
Thickness	39 mm
Storage Temperatures	-40°C to +70°C
Operating Temperatures	0°C to +35°C
Connector Type	Subconn OM3M
Locking Sleeve	Subconn DLSA-F

ACOUSTIC:

Resonance Frequency	900 Hz
Maximum Transmitted Voltage Response	138 dB re $\mu\text{Pa}/\text{V}$ @ 1m
Maximum SPL	194 dB re 1 μPa @ 1 m
Maximum Drive Voltage	600 Vrms
Transmitting Range	250Hz-3200Hz
Directivity	Omni-Directional
Capacitance	190 nF
Cavitation Depth at 194 dB re μPa @ 1 m	10 Meters

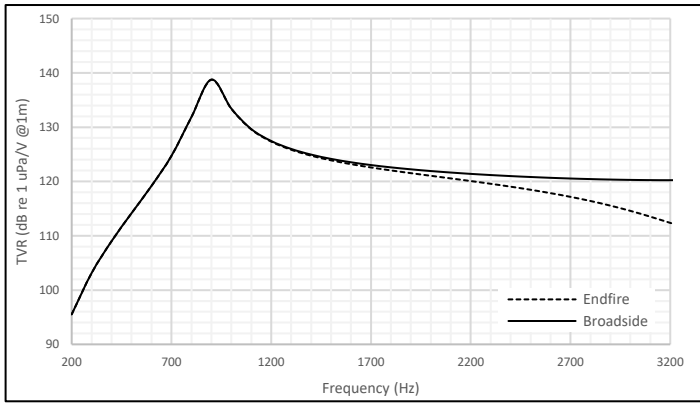


Figure 1: Transmit Voltage Response for M21-203-900

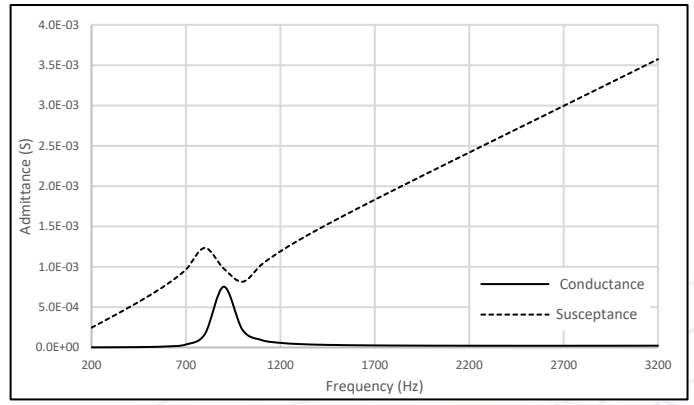


Figure 2: Admittance Plot for M21-203-900

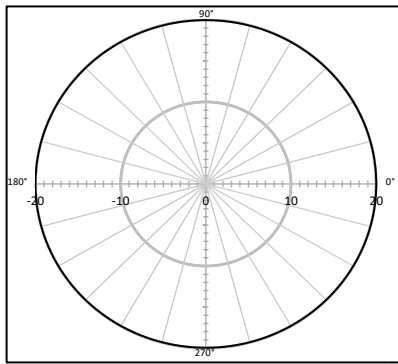


Figure 3: Typical Horizontal Beam Pattern for the M21-203-900 at Resonance Frequency

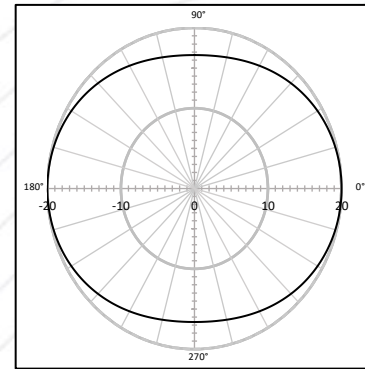


Figure 4: Typical Vertical Beam Pattern for the M21-203-900 at 3200Hz

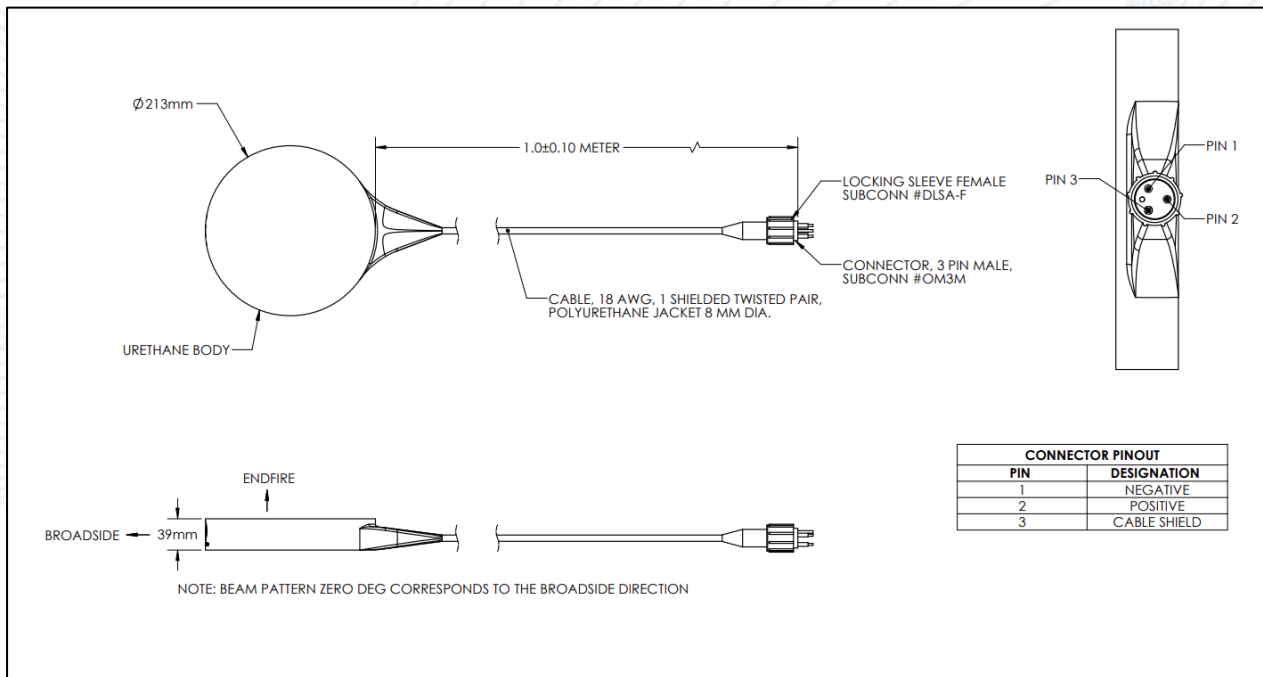


Figure 5: Dimensions of the M21-203-900 with labeled pin out