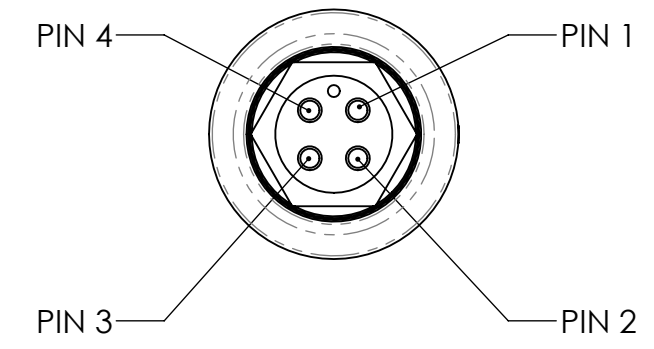
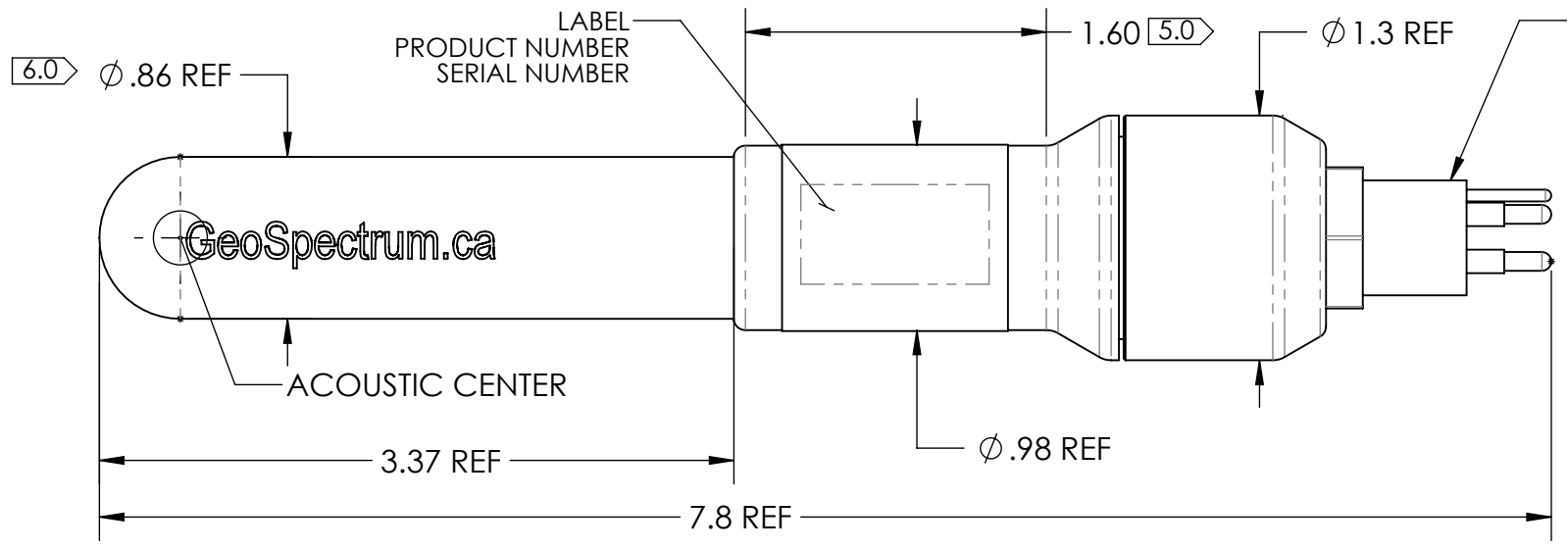
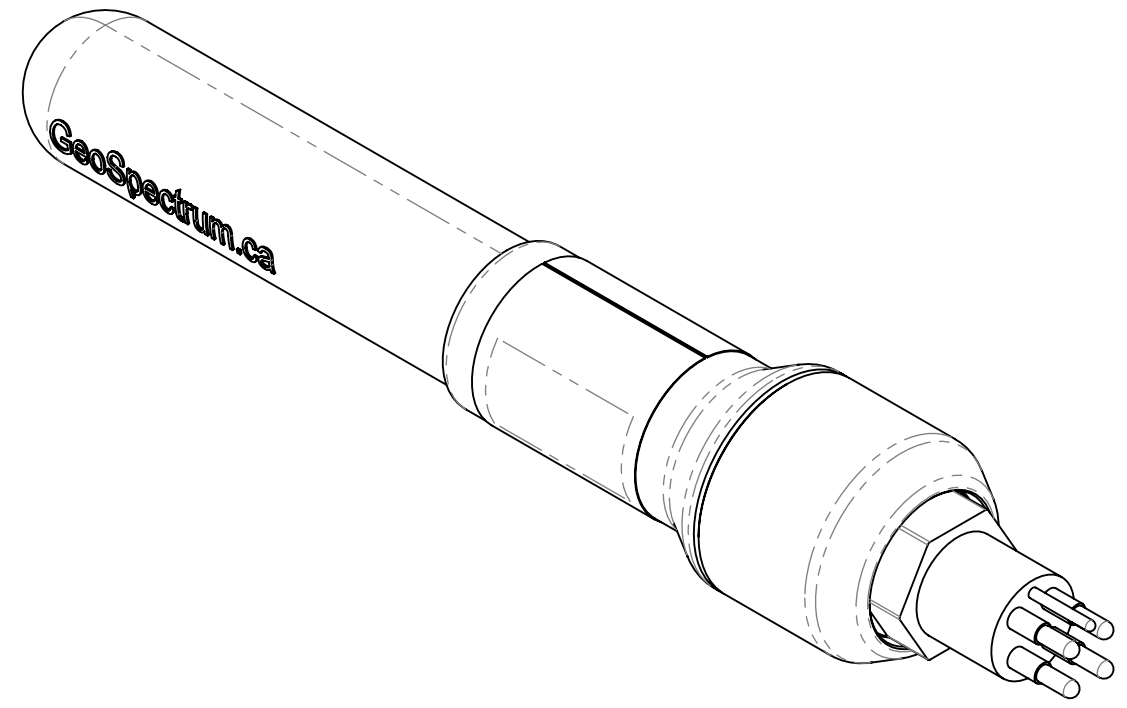


REVISION HISTORY				
REV	DWN	APPR	DESCRIPTION	DATE

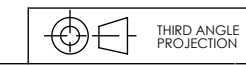
NOTES:

- 1.0 INCLUDES INTEGRATED VOLTAGE SIGNALLING PREAMP WITH 5 Hz HPF AND 100 kHz LPF.
- 2.0 NOMINALLY AMPLIFIED HYDROPHONE SENSITIVITY: -170 dB re V/uPa.
- 3.0 MAXIMUM 2500 METERS DEPTH.
- 4.0 LUBRICATE CONNECTOR PINS WITH MOLYKOTE 44 BEFORE USE.
- 5.0 SUGGESTED MOUNTING AREA, IF REQUIRED. IN THIS ZONE ONLY.
- 6.0 DIMENSION IS 100% VERIFIED BY GAUGE. DO NOT BEND.



PINOUT	
CONNECTOR	SIGNAL
PIN 1	GROUND
PIN 2	SIGNAL
PIN 3	POWER
PIN 4	SHIELD

**PROPRIETARY AND CONFIDENTIAL**  
 THE INFORMATION CONTAINED IN THIS DRAWING IS THE SOLE PROPERTY OF GEOSPECTRUM TECHNOLOGIES INC. ANY REPRODUCTION IN PART OR AS A WHOLE WITHOUT THE WRITTEN PERMISSION OF GEOSPECTRUM TECHNOLOGIES INC. IS PROHIBITED.



 <b>GeoSpectrum Technologies Inc.</b> 10 Akerley Blvd., Unit 19 Dartmouth, NS Canada B3B 1J4 Tel: 1-902-406-4111 Fax: 1-902-435-8987 www.geospectrum.ca	
PRODUCT: <b>M36-100</b>	TITLE: <b>HYDROPHONE, 2500m DEPTH, MCBH4M</b>
SIZE: <b>B</b>	SCALE: 1:1
SHEET: 1 OF 1	DWG. No.: <b>02-036-070</b> DATE: <b>2020 DEC 22</b> REV: <b>00</b>