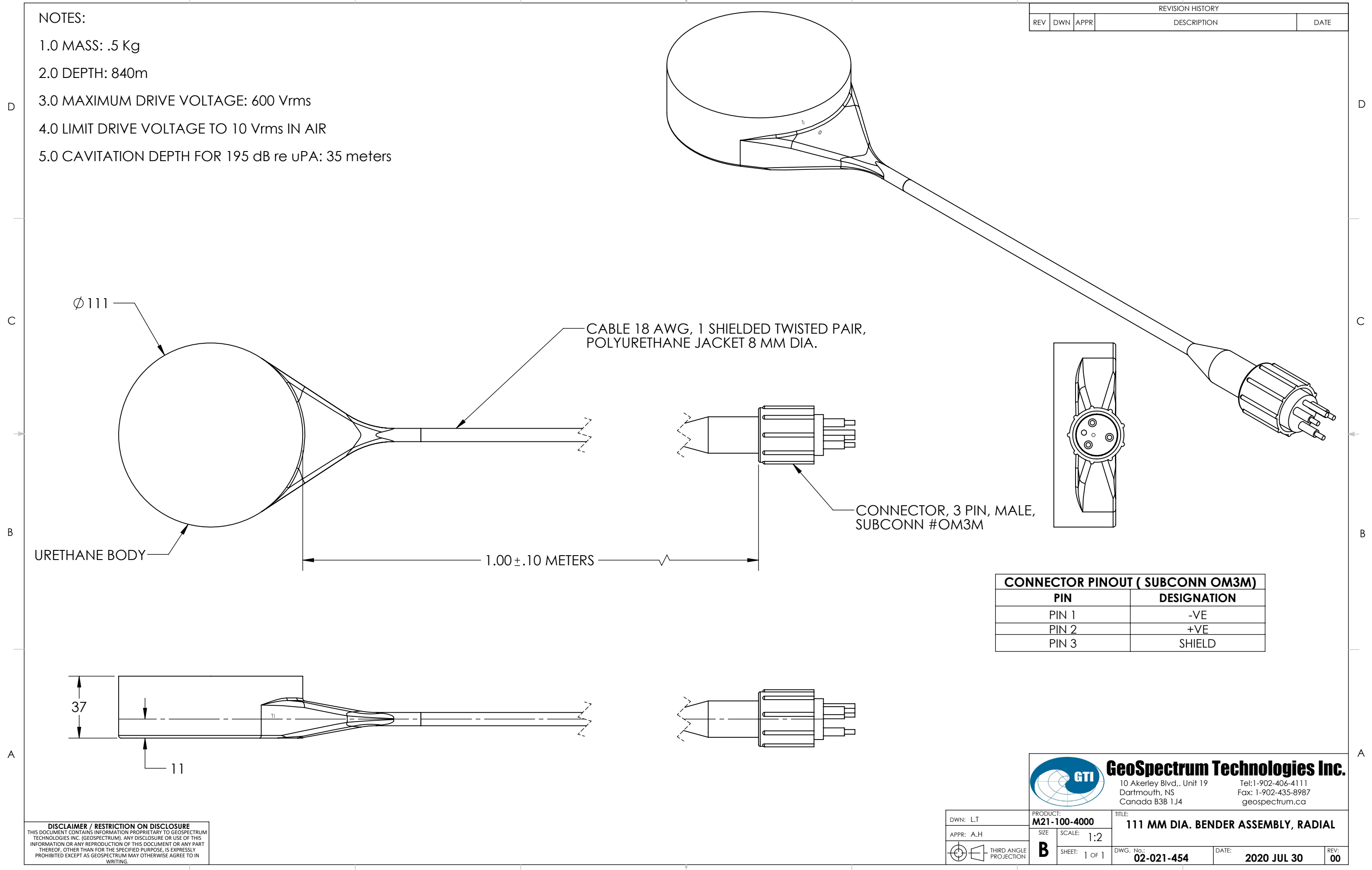


REVISION HISTORY

REV	DWN	APPR	DESCRIPTION	DATE

NOTES:

- 1.0 MASS: .5 Kg
- 2.0 DEPTH: 840m
- 3.0 MAXIMUM DRIVE VOLTAGE: 600 Vrms
- 4.0 LIMIT DRIVE VOLTAGE TO 10 Vrms IN AIR
- 5.0 CAVITATION DEPTH FOR 195 dB re uPA: 35 meters



CONNECTOR, 3 PIN, MALE, SUBCONN #OM3M

CONNECTOR PINOUT (SUBCONN OM3M)	
PIN	DESIGNATION
PIN 1	-VE
PIN 2	+VE
PIN 3	SHIELD

DISCLAIMER / RESTRICTION ON DISCLOSURE
 THIS DOCUMENT CONTAINS INFORMATION PROPRIETARY TO GEOSPECTRUM TECHNOLOGIES INC. (GEOSPECTRUM). ANY DISCLOSURE OR USE OF THIS INFORMATION OR ANY REPRODUCTION OF THIS DOCUMENT OR ANY PART THEREOF, OTHER THAN FOR THE SPECIFIED PURPOSE, IS EXPRESSLY PROHIBITED EXCEPT AS GEOSPECTRUM MAY OTHERWISE AGREE TO IN WRITING.

GTI GeoSpectrum Technologies Inc.
 10 Akerley Blvd., Unit 19
 Dartmouth, NS
 Canada B3B 1J4
 Tel: 1-902-406-4111
 Fax: 1-902-435-8987
 geospectrum.ca

DWN: LT	PRODUCT: M21-100-4000	TITLE: 111 MM DIA. BENDER ASSEMBLY, RADIAL
APPR: A.H	SIZE: B	SCALE: 1:2
THIRD ANGLE PROJECTION	SHEET: 1 OF 1	DWG. No.: 02-021-454
		DATE: 2020 JUL 30
		REV: 00