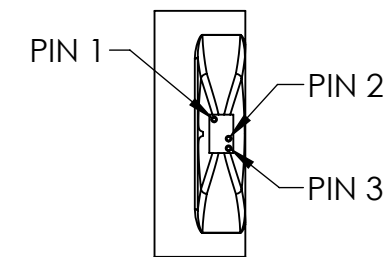
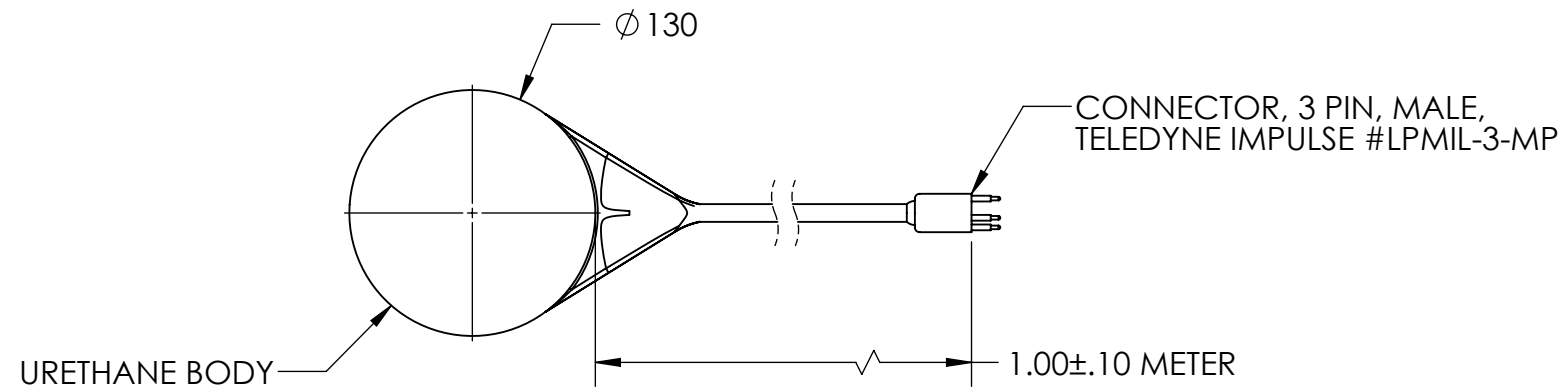
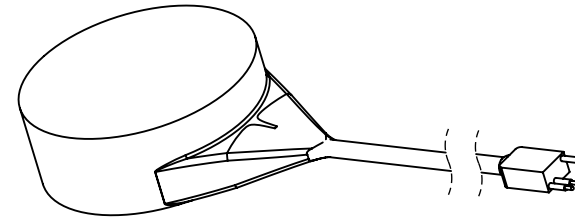


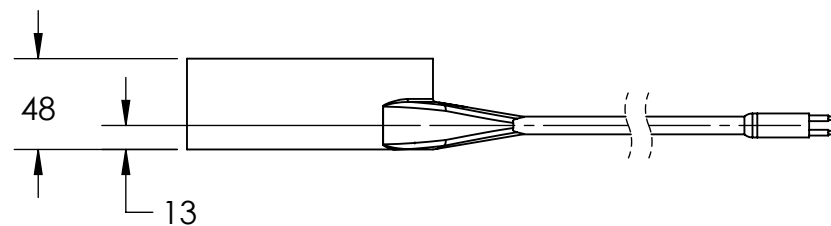
REVISION HISTORY			DATE
REV	DWN	APPR	DESCRIPTION

NOTES:

- 1.0 MASS: 1.7 Kg
- 2.0 DEPTH: 1000 METERS
- 3.0 MAXIMUM DRIVE VOLTAGE: 600 Vrms
- 4.0 LIMIT DRIVE VOLTAGE TO 10 Vrms IN AIR.
- 5.0 CAVIATION DEPTH AT MAXIMUM DRIVE VOLTAGE: 35 METERS



CONNECTOR PINOUT	
PIN	DESIGNATION
1	NEGATIVE
2	SHIELD
3	POSITIVE



**PROPRIETARY AND CONFIDENTIAL**  
 THE INFORMATION CONTAINED IN THIS DRAWING IS THE SOLE PROPERTY OF GEOSPECTRUM TECHNOLOGIES INC. ANY REPRODUCTION IN PART OR AS A WHOLE WITHOUT THE WRITTEN PERMISSION OF GEOSPECTRUM TECHNOLOGIES INC. IS PROHIBITED.

UNITS: mm UNLESS OTHERWISE SPECIFIED  
 THIRD ANGLE PROJECTION

	<b>GeoSpectrum Technologies Inc.</b> 10 Akerley Blvd., Unit 19 Dartmouth, NS Canada B3B 1J4 Tel: 1-902-406-4111 Fax: 1-902-435-8987 www.geospectrum.ca	
	PRODUCT: <b>M21-106</b> SIZE: <b>B</b> SHEET: 1 OF 1	TITLE: <b>120 MM DIA. BENDER GENERAL ASSEMBLY, RADIAL</b> DWG. No.: <b>02-021-299</b> DATE: <b>19 SEP 17</b> REV: <b>0</b>