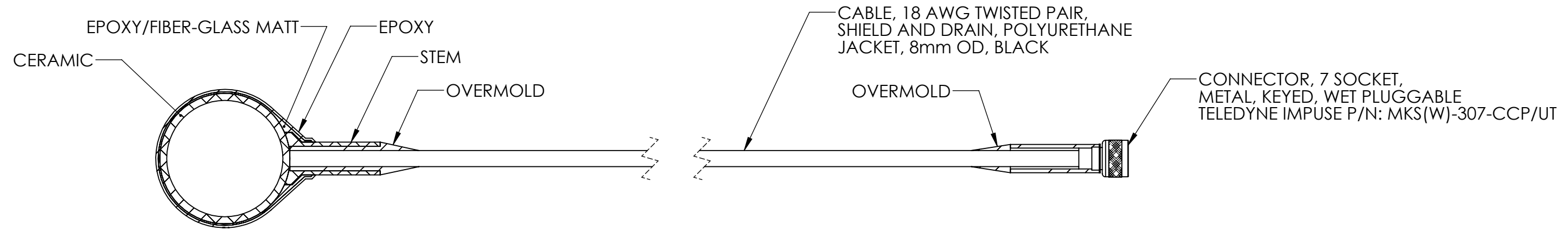
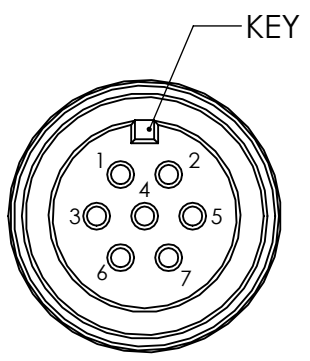
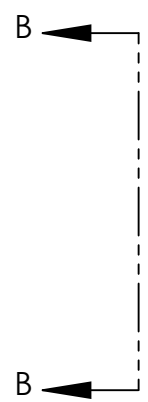
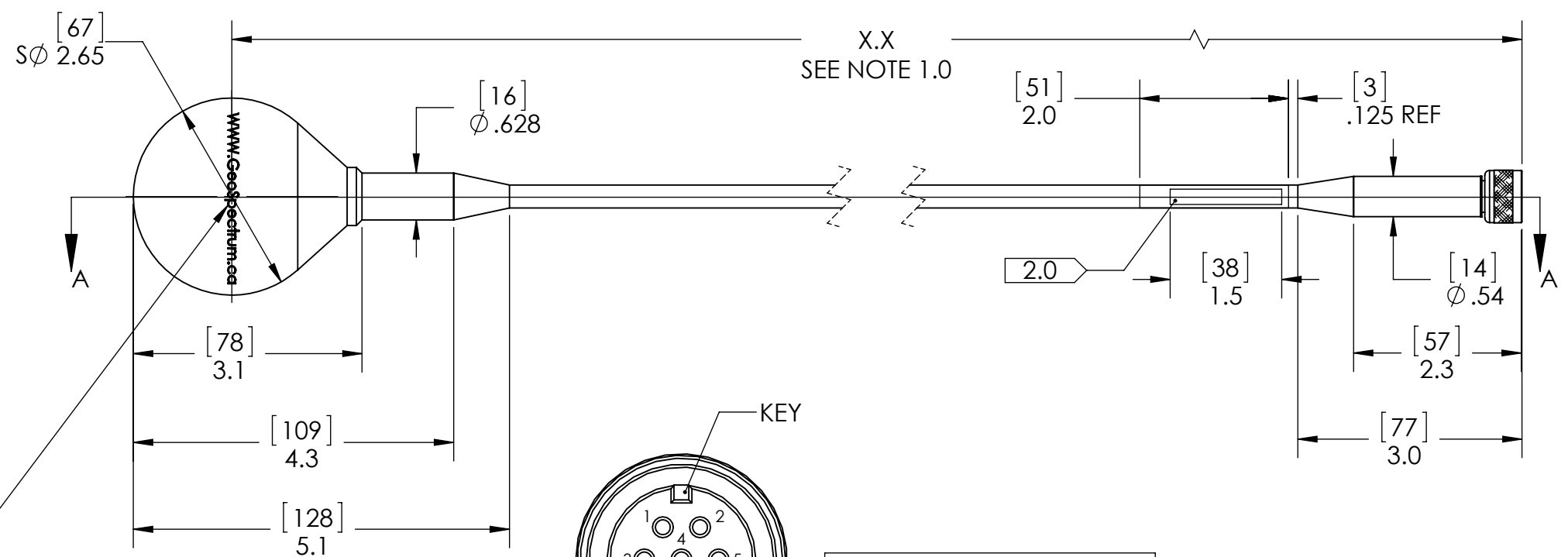


REVISION HISTORY				
REV	DRW	APPR	DESCRIPTION	DATE
A	LM	SSG	UPDATED TITLE, MORE DIMENSIONS ADDED	25/02/2014
B	LM	SSG	NOTE 2.0 ADDED, DIMENSIONS ADDED	04/03/2014
C	LJ	AF	"WWW.GeoSpectrum.ca" ADDED TO SPHERE;	21/07/2014

- NOTES:
- 1.0 LENGTH MUST BE SPECIFIED IN METERS WHEN ORDERING, 01-018-09-'LENGTH'
 - EXAMPLE;
 - 01-018-09-10.0 = M18 WITH 10m CABLE
 - 01-018-09-2.5 = M18 WITH 2.5m CABLE
 - 2.0 LABEL TEXT;
 - "P/N XXX" PROVIDED BY RAFAEL WHEN ORDERING
 - "S/N XXX" WILL BE DETERMINED BY GTI



SECTION A-A



VIEW B-B
SCALE 2 : 1

PIN OUT	
PIN 1	HP+
PIN 2	HP+
PIN 3	HP-
PIN 4	HP-
PIN 5	N/C
PIN 6	GND/SHIELD
PIN 7	N/C

"WWW.GeoSpectrum.ca"
EMBOSSSED ON SURFACE

PROPRIETARY AND CONFIDENTIAL
THE INFORMATION CONTAINED IN THIS DRAWING IS THE SOLE PROPERTY OF GEOSPECTRUM TECHNOLOGIES INC. ANY REPRODUCTION IN PART OR AS A WHOLE WITHOUT THE WRITTEN PERMISSION OF GEOSPECTRUM TECHNOLOGIES INC. IS PROHIBITED.

		GeoSpectrum Technologies Inc.	
10 Akerley Blvd., Unit 19 Dartmouth, NS Canada B3B 1J4		Tel: 1-902-406-4111 Fax: 1-902-435-8987 www.geospectrum.ca	
PRODUCT: M18B	PROJECT: 018 M18	TITLE: M18B-63-135, RAFAEL ASSEMBLY	DATE: 21-FEB-2014
SIZE: B	SCALE: 1:2	DWG. #: 02-018-009	
UNITS: INCH			